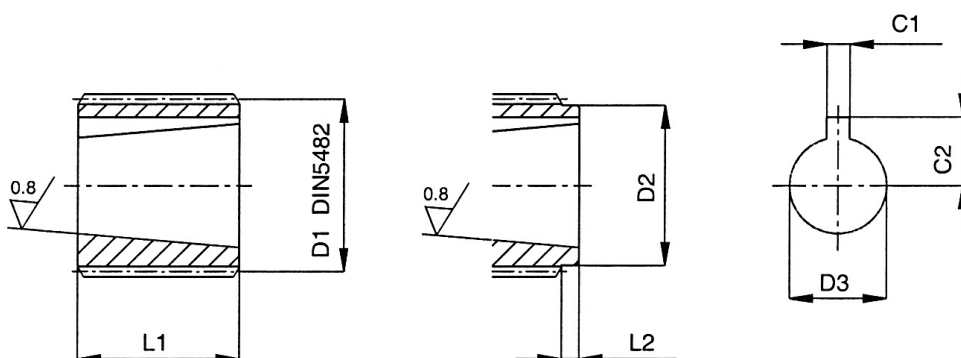
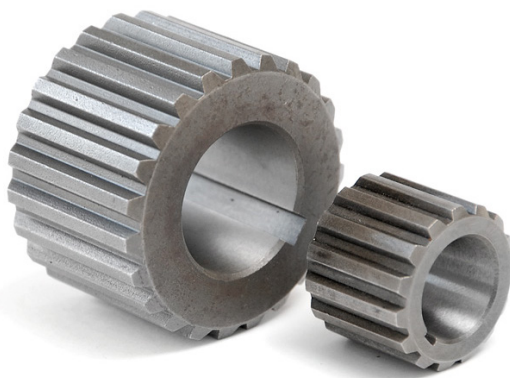


SEMIGIUNTI DENTATI PER POMPE IDRAULICHE

FORO CONICO 1:8 SERIE BF



N° Denti	D1	D2	D3	L1	L2	C1	C2	Codice
	mm	mm	mm	mm	mm	mm	mm	
12	20x17	-	7.78	14.5	-	2.4	5.8	BF1 1
14	25x22	-	7.78	14.5	-	2.4	5.8	BF2 1 1
14	25x22	-	11.80	16	-	3	8.5	BF2 1M
14	25x22	-	14.30	22	-	3.2	9.3	BF2
14	25x22	21	14.30	22.5	2	4	9.1	BF2T
15	28x25	-	14.30	22	-	3.2	9.7	BF2Z15
15	28x25	-	14.30	22	-	4	9.7	BF2TZ15
17	32x28	-	14.30	22	-	3.2	9.7	BF2.5 2
17	32x28	-	14.30	22	-	4	9.7	BF2.5 2T
17	32x28	-	18.61	26	-	4	11.7	BF2.5
18	35x31	-	14.30	22	-	3.2	9.7	BF3 2
18	35x31	-	14.30	22	-	4	9.7	BF3 2T
18	35x31	-	18.61	26	-	4	12.5	BF3
20	40x36	-	14.30	22	-	3.2	9.7	BF3.5 2
20	40x36	-	14.30	22	-	4	9.7	BF3.5 2T
20	40x36	-	18.61	26	-	4	12.5	BF3.5 3
20	40x36	-	21.08	32	-	4.8	15.1	BF3.5
23	48x44	-	14.30	22	-	3.2	9.7	BF4 2
23	48x44	-	14.30	22	-	4	9.7	BF4 2T
23	48x44	-	18.61	26	-	4	12.5	BF4 3
23	48x44	-	21.08	32	-	4.8	15.1	BF4 3.5
23	48x44	-	27.61	42	-	6.4	18.7	BF4

