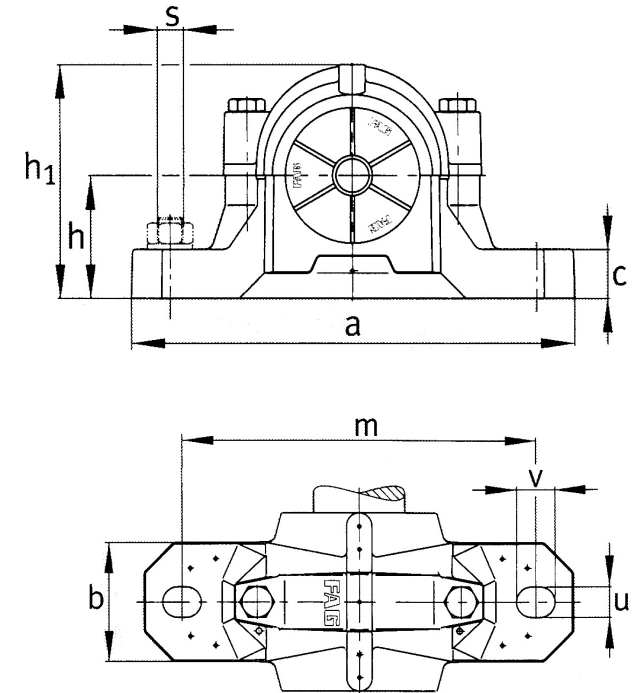
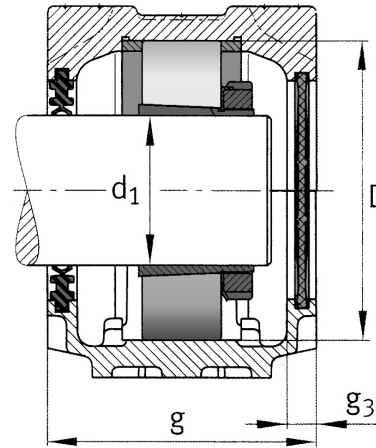


SOPPORTI FAG IN DUE META' TIPO SNV E RELATIVI COMPONENTI PER UTILIZZO CON CUSCINETTO A FORO CONICO E BUSSOLA DI TRAZIONE



d1 mm	m mm	h mm	u mm	b mm	v mm	c mm	a mm	g mm	h1 mm	s mm	Peso Kg	Codice Sopperto	Codice Cuscinetto	Codice Bussola trazione	Codice Anelli arresto (2pz)	Codice Tenuta 2 labbri	Codice Coperchio
20	130	40	15	46	20	19	165	70	75	M12	1,3	SNV052	1205 K TVH C3	H205	FRM52/6	DH505	DKV052
													20205 K TVP C3	H205	FRM52/6	DH505	DKV052
													2205 K TVH C3	H305	FRM52/4,5	DH505	DKV052
													22205 E1 K	H305	FRM52/4,5	DH505	DKV052
20	150	50	15	52	20	22	185	75	91	M12	1,9	SNV062	1305 K TVH C3	H305	FRM62/6,5	DH605	DKV062
													2305 K TVH C3	H2305	FRM62/3	DH605	DKV062



SOPPORTI FAG IN DUE META' TIPO SNV
E RELATIVI COMPONENTI PER UTILIZZO CON CUSCINETTO A FORO CONICO E BUSSOLA DI TRAZIONE



d1	m	h	u	b	v	c	a	g	h1	s	Peso	Codice Sopporto	Codice Cuscinetto	Codice Bussola trazione	Codice Anelli arresto (2pz)	Codice Tenuta 2 labbri	Codice Coperchio
mm	mm	mm	mm	mm	mm	mm	mm	mm	mm	mm	Kg						
25	150	50	15	52	20	22	185	75	91	M12	1,9	SNV062	1206 K TVH C3	H206	FRM62/7	DH506	DKV062
													20206 K TVP C3	H206	FRM62/7	DH506	DKV062
													2206 K TVH C3	H306	FRM62/5	DH506	DKV062
25	150	50	15	52	20	22	185	80	97	M12	2	SNV072	22206 E1 K	H306	FRM62/5	DH506	DKV062
													1306 K TVH C3	H306	FRM72/7	DH606	DKV072
													2306 K TVH C3	H2306	FRM72/3	DH606	DKV072
30	150	50	15	52	20	22	185	80	97	M12	2	SNV072	1207 K TVH C3	H207	FRM72/8	DH507	DKV072
													20207 K TVP C3	H207	FRM72/8	DH507	DKV072
													2207 K TVH C3	H307	FRM72/5	DH507	DKV072
30	170	60	15	60	20	25	205	85	112	M12	2,9	SNV080	22207 E1 K	H307	FRM72/5	DH507	DKV072
													1307 K TVH C3	H307	FRM80/9	DH607	DKV080
													21307 E1 K TVPB	H307	FRM80/9	DH607	DKV080
35	170	60	15	60	20	25	205	85	112	M12	2,9	SNV080	2307 K TVH C3	H2307	FRM80/4	DH607	DKV080
													1208 K TVH C3	H208	FRM80/10,5	DH508	DKV080
													20208 K TVP C3	H208	FRM80/10,5	DH508	DKV080
35	170	60	15	60	20	25	205	100	117	M12	3,1	SNV090	2208 K TVH C3	H308	FRM80/8	DH508	DKV080
													1308 K TVH C3	H308	FRM90/9	DH608	DKV090
													21308 E1 K	H308	FRM90/9	DH608	DKV090
40	170	60	15	60	20	25	205	87	114	M12	2,8	SNV085	2308 K TVH C3	H2308	FRM90/4	DH608	DKV090
													22308 E1 K	H2308	FRM90/4	DH608	DKV090
													1209 K TVH C3	H209	FRM85/6	DH509	DKV085
40	210	70	18	70	23	28	255	105	133	M16	4,3	SNV100	20209 K TVP C3	H209	FRM85/6	DH509	DKV085
													2209 K TVH C3	H309	FRM85/4	DH509	DKV085
													22209 E1 K	H309	FRM85/4	DH509	DKV085
40	210	70	18	70	23	28	255	105	133	M16	4,3	SNV100	1309 K TVH C3	H309	FRM100/9,5	DH609	DKV100
													21309 E1 K	H309	FRM100/9,5	DH609	DKV100
													2309 K TVH C3	H2309	FRM100/4	DH609	DKV100
													22309 E1 K	H2309	FRM100/4	DH609	DKV100



SOPPORTI FAG IN DUE META' TIPO SNV
E RELATIVI COMPONENTI PER UTILIZZO CON CUSCINETTO A FORO CONICO E BUSSOLA DI TRAZIONE

FAG

d1	m	h	u	b	v	c	a	g	h1	s	Peso	Codice	Codice	Codice	Codice	Codice	
mm	mm	mm	mm	mm	mm	mm	mm	mm	mm	mm	Kg	Sopporto	Cuscinetto	Bussola trazione	Anelli arresto (2pz)	Tenuta 2 labbri	Coperchio
45	170	60	15	60	20	25	205	100	117	M12	3,1	SNV090	1210 K TVH C3	H210	FRM90/10,5	DH510	DKV090
													20210 K TVP C3	H210	FRM90/10,5	DH510	DKV090
													2210 K TVH C3	H310	FRM90/9	DH510	DKV090
													22210 E1 K	H310	FRM90/9	DH510	DKV090
45	210	70	18	70	23	30	255	110	139	M16	4,9	SNV110	1310 K TVH C3	H310	FRM110/10,5	DH610	DKV110
													21310 E1 K	H310	FRM110/10,5	DH610	DKV110
													2310 K TVH C3	H2310	FRM110/4	DH610	DKV110
													22310 E1 K	H2310	FRM110/4	DH610	DKV110
50	210	70	18	70	23	28	255	105	133	M16	4,3	SNV100	1211 K TVH C3	H211	FRM100/11,5	DH511	DKV100
													20211 K TVP C3	H211	FRM100/11,5	DH511	DKV100
													2211 K TVH C3	H311	FRM100/9,5	DH511	DKV100
													22211 E1 K	H311	FRM100/9,5	DH511	DKV100
50	230	80	18	80	23	30	275	115	155	M16	6,1	SNV120	1311 K TVH C3	H311	FRM120/11	DH611	DKV120
													20311 K TVP C3	H311	FRM120/11	DH611	DKV120
													21311 E1 K	H311	FRM120/11	DH611	DKV120
													2311 K TVH C3	H2311	FRM120/4	DH611	DKV120
													22311 E1 K	H2311	FRM120/4	DH611	DKV120
55	210	70	18	70	23	30	255	110	139	M16	4,9	SNV110	1212 K TVH C3	H212	FRM110/13	DH512	DKV110
													20212 K TVP C3	H212	FRM110/13	DH512	DKV110
													2212 K TVH C3	H312	FRM110/10	DH512	DKV110
													22212 E1 K	H312	FRM110/10	DH512	DKV110
55	230	80	18	80	23	30	280	120	161	M16	6,8	SNV130	1312 K TVH C3	H312	FRM130/12,5	DH612	DKV130
													20312 K TVP C3	H312	FRM130/12,5	DH612	DKV130
													21312 E1 K	H312	FRM130/12,5	DH612	DKV130
													2312 K TVH C3	H2312	FRM130/5	DH612	DKV130
													22312 E1 K	H2312	FRM130/5	DH612	DKV130



SOPPORTI FAG IN DUE META' TIPO SNV
E RELATIVI COMPONENTI PER UTILIZZO CON CUSCINETTO A FORO CONICO E BUSSOLA DI TRAZIONE

FAG

d1 mm	m mm	h mm	u mm	b mm	v mm	c mm	a mm	g mm	h1 mm	s mm	Peso Kg	Codice Sopporto	Codice Cuscinetto	Codice Bussola trazione	Codice Anelli arresto (2pz)	Codice Tenuta 2 labbri	Codice Coperchio
60	230	80	18	80	23	30	275	115	155	M16	6,1	SNV120	1213 K TVH C3	H213	FRM120/14	DH513	DKV120
													20213 K TVP C3	H213	FRM120/14	DH513	DKV120
													2213 K TVH C3	H313	FRM120/10	DH513	DKV120
													22213 E1 K	H313	FRM120/10	DH513	DKV120
60	260	95	22	90	27	32	315	135	183	M20	9,3	SNV140	1313 K TVH C3	H313	FRM140/12,5	DH613	DKV140
													20313 K MB C3	H313	FRM140/12,5	DH613	DKV140
													21313 E1 K	H313	FRM140/12,5	DH613	DKV140
													2313 K TVH C3	H2313	FRM140/5	DH613	DKV140
65	230	80	18	80	23	30	280	120	161	M16	6,8	SNV130	22313 E1 K	H2313	FRM140/5	DH613	DKV140
													1215 K TVH C3	H215	FRM130/15,5	DH515	DKV130
													20215 K TVP C3	H215	FRM130/15,5	DH515	DKV130
													2215 K TVH C3	H315	FRM130/12,5	DH515	DKV130
65	290	100	22	100	27	35	345	145	201	M20	12,8	SNV160	22215 E1 K	H315	FRM130/12,5	DH515	DKV130
													1315 K M C3	H315	FRM160/14	DH615	DKV160
													21315 E1 K	H315	FRM160/14	DH615	DKV160
													2315 K M C3	H2315	FRM160/5	DH615	DKV160
70	260	95	22	90	27	32	315	135	183	M20	9,3	SNV140	22315 E1 K	H2315	FRM160/5	DH615	DKV160
													1216 K TVH C3	H216	FRM140/16	DH516	DKV140
													20216 K TVP C3	H216	FRM140/16	DH516	DKV140
													2216 K TVH C3	H316	FRM140/12,5	DH516	DKV140
70	290	112	22	100	27	35	345	150	219	M20	14,4	SNV170	22216 E1 K	H316	FRM140/12,5	DH516	DKV140
													1316 K M C3	H316	FRM170/14,5	DH616	DKV170
													21316 E1 K	H316	FRM170/14,5	DH616	DKV170
													2316 K M C3	H2316	FRM170/5	DH616	DKV170
													22316 E1 K	H2316	FRM170/5	DH616	DKV170



SOPPORTI FAG IN DUE META' TIPO SNV
E RELATIVI COMPONENTI PER UTILIZZO CON CUSCINETTO A FORO CONICO E BUSSOLA DI TRAZIONE

FAG

d1	m	h	u	b	v	c	a	g	h1	s	Peso	Codice Sopporto	Codice Cuscinetto	Codice Bussola trazione	Codice Anelli arresto (2pz)	Codice Tenuta 2 labbri	Codice Coperchio
mm	mm	mm	mm	mm	mm	mm	mm	mm	mm	mm	Kg						
75	260	95	22	90	27	32	320	140	189	M20	9,9	SNV150	1217 K TVH C3	H217	FRM150/16,5	DH517	DKV150
													20217 K MB C3	H217	FRM150/16,5	DH517	DKV150
													2217 K M C3	H317	FRM150/12,5	DH517	DKV150
													22217 E1 K	H317	FRM150/12,5	DH517	DKV150
75	320	112	26	110	32	40	380	160	223	M24	17	SNV180	1317 K M C3	H317	FRM180/14,5	DH617	DKV180
													21317 E1 K	H317	FRM180/14,5	DH617	DKV180
													2317 K M C3	H2317	FRM180/5	DH617	DKV180
													22317 E1 K	H2317	FRM180/5	DH617	DKV180
80	290	100	22	100	27	35	345	145	201	M20	12,8	SNV160	1218 K TVH C3	H218	FRM160/17,5	DH518	DKV160
													20218 K MB C3	H218	FRM160/17,5	DH518	DKV160
													2218 K TVH C3	H318	FRM160/12,5	DH518	DKV160
													22218 E1 K	H318	FRM160/12,5	DH518	DKV160
80	320	112	26	110	32	40	380	155	229	M24	22	SNV190	23218 E1 K TVPB	H2318	FRM160/6,3	DH518	DKV160
													1318 K M C3	H318	FRM190/15,5	DH518	DKV160
													20318 K MB C3	H318	FRM190/15,5	DH518	DKV160
													21318 E1 K	H318	FRM190/15,5	DH518	DKV160
													2318 K M C3	H2318	FRM190/5	DH518	DKV160
85	290	112	22	100	27	35	345	150	219	M20	14,4	SNV170	22318 E1 K	H2318	FRM190/5	DH518	DKV160
													1219 K M C3	H219	FRM170/18	DH519	DKV170
													2219 K M C3	H319	FRM170/12,5	DH519	DKV170
													22219 E1 K	H319	FRM170/12,5	DH519	DKV170
85	350	125	26	120	32	45	410	175	248	M24	21	SNV200	1319 K M C3	H319	FRM200/17,5	DH619	DKV200
													21319 E1 K TVPB	H319	FRM200/17,5	DH619	DKV200
													2319 K M C3	H2319	FRM200/6,5	DH619	DKV200
													22319 E1 K	H2319	FRM200/6,5	DH619	DKV200



SOPPORTI FAG IN DUE META' TIPO SNV
E RELATIVI COMPONENTI PER UTILIZZO CON CUSCINETTO A FORO CONICO E BUSSOLA DI TRAZIONE

FAG

d1	m	h	u	b	v	c	a	g	h1	s	Peso	Codice	Codice	Codice	Codice	Codice	
mm	mm	mm	mm	mm	mm	mm	mm	mm	mm	mm	Kg	Sopporto	Cuscinetto	Bussola trazione	Anelli arresto (2pz)	Tenuta 2 labbri	Coperchio
90	320	112	26	110	32	40	380	160	223	M24	17	SNV180	1220 K M C3	H220	FRM180/18	DH520	DKV180
													20220 K MB C3	H220	FRM180/18	DH520	DKV180
													2220 K M C3	H320	FRM180/12	DH520	DKV180
													22220 E1 K	H320	FRM180/12	DH520	DKV180
													23220 E1 K TVPB	H2320	FRM180/4,85	DH520	DKV180
90	350	140	26	120	32	45	410	180	271	M24	24,5	SNV215 ¹⁾	1320 K M C3	H320	FRM215/19,5	DH620	DKV215
													20320 K MB C3	H320	FRM215/19,5	DH620	DKV215
													21320 E1 K TVPB	H320	FRM215/19,5	DH620	DKV215
													2320 K M C3	H2320	FRM215/6,5	DH620	DKV215
													22320 E1 K	H2320	FRM215/6,5	DH620	DKV215
100	350	125	26	120	32	45	410	175	248	M24	21	SNV200 ²⁾	1222 K M C3	H222	FRM200/21	DH522	DKV200
													20222 K MB C3	H222	FRM200/21	DH522	DKV200
													2222 K M C3	H322	FRM200/13,5	DH522	DKV200
													22222 E1 K	H322	FRM200/13,5	DH522	DKV200
													23222 E1 K TVPB	H2322	FRM200/5,1	DH522	DKV200
100	390	150	28	130	35	50	450	185	298	M24	32	SNV240	1322 K M C3	H322	FRM240/20	DH522	DKV200
													21322 E1 K TVPB	H322	FRM240/20	DH522	DKV200
													2322 K M C3	H2322	FRM240/5	DH522	DKV200
													22322 E1 K	H2322	FRM240/5	DH522	DKV200
110	350	140	26	120	32	45	410	180	271	M24	24,5	SNV215	20224 K MB C3	H3024	FRM215/23	DH524	DKV215
													22224 E1 K	H3124	FRM215/14	DH524	DKV215
													23224 E1 K TVPB	H2324	FRM215/5	DH524	DKV215
110	450	160	35	160	42	60	530	190	321	M30	48	SNV260	22324 E1 K	H2324	FRM260/5	DH524	DKV215
115	380	150	28	130	35	50	445	190	291	M24	30	SNV230	20226 K MB C3	H3026	FRM230/25	DH526	DKV230
													22226 E1 K	H3126	FRM230/13	DH526	DKV230
													23226 E1 K TVPB	H2326	FRM230/5	DH526	DKV230
115	470	170	35	160	42	60	550	205	344	M30	55	SNV280	22326 E1 K	H2326	FRM280/5	DH526	DKV230

¹⁾ Supporto con golfare

²⁾ Supporto senza golfare



SOPPORTI FAG IN DUE META' TIPO SNV
E RELATIVI COMPONENTI PER UTILIZZO CON CUSCINETTO A FORO CONICO E BUSSOLA DI TRAZIONE



d1	m	h	u	b	v	c	a	g	h1	s	Peso	Codice Sopporto	Codice Cuscinetto	Codice Bussola trazione	Codice Anelli arresto (2pz)	Codice Tenuta 2 labbri	Codice Coperchio
mm	mm	mm	mm	mm	mm	mm	mm	mm	mm	mm	Kg						
125	420	150	35	150	42	50	500	200	304	M30	38	SNV250	20228 K MB C3	H3028	FRM250/28	DH528	DKV250
													22228 E1 K	H3128	FRM250/15	DH528	DKV250
													23228 E1 K TVPB	H2328	FRM250/5	DH528	DKV250
125	520	180	35	170	42	65	620	215	366	M30	70	SNV300	22328 E1 K	H2328	FRM300/5	DH528	DKV250
													20230 K MB C3	H3030	FRM270/30,5	DH530	DKV270
135	450	160	35	160	42	60	530	215	328	M30	45,5	SNV270	22230 E1 K	H3130	FRM270/16,5	DH530	DKV270
													23230 E1 K TVPB	H2330	FRM270/5	DH530	DKV270
													22330 E1 K	H2330	FRM320/5	DH530	DKV270
135	560	190	35	180	42	65	650	225	386	M30	95	SNV320	20232 K MB C3	H3032	FRM290/33	DH532	DKV290
													22232 E1 K	H3132	FRM290/17	DH532	DKV290
													23232 E1 K TVPB	H2332	FRM290/5	DH532	DKV290
140	470	170	35	160	42	60	550	225	351	M30	53,8	SNV290	22332 K MB	H2332	FRM340/5	DH532	DKV290

