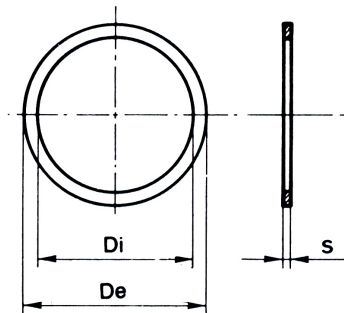


GUARNIZIONI PER RACCORDI RAME METRICA - GRDN



Di mm	De mm	S mm	Codice
5	9	1.0	GRDN5
6	10	1.5	GRDN6
8	12	1.5	GRDN8
10	16	1.5	GRDN10
12	18	1.5	GRDN12
14	20	1.5	GRDN14
16	22	1.5	GRDN16
18	24	1.5	GRDN18
20	26	1.5	GRDN20
22	28	1.5	GRDN22
24	30	1.5	GRDN24
25	32	1.5	GRDN25
26	32	1.5	GRDN26
30	36	1.5	GRDN30
32	40	1.5	GRDN32
34	42	1.5	GRDN34
36	44	1.5	GRDN36
38	46	1.5	GRDN38
40	48	1.5	GRDN40