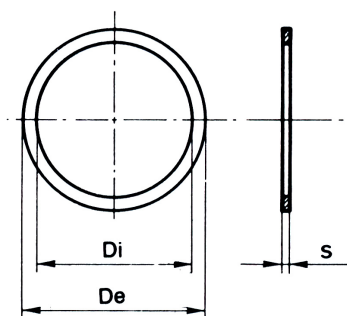


# GUARNIZIONI PER RACCORDI RAME GAS - GR



Inch Gas	Di mm	De mm	S mm	Codice
1/8	10	14	1.5	GR1/8
1/4	13.5	19	1.5	GR1/4
3/8	17	22	1.5	GR3/8
1/2	21	27	1.5	GR1/2
5/8	23	29	1.5	GR5/8
3/4	27	33	1.5	GR3/4
1	33	41	1.5	GR1
1 1/4	42	50	1.5	GR1 1/4
1 1/2	48	60	1.5	GR1 1/2
2	60	72	1.5	GR2

