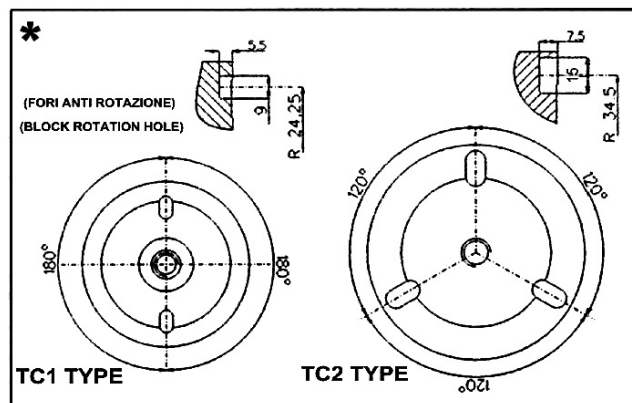
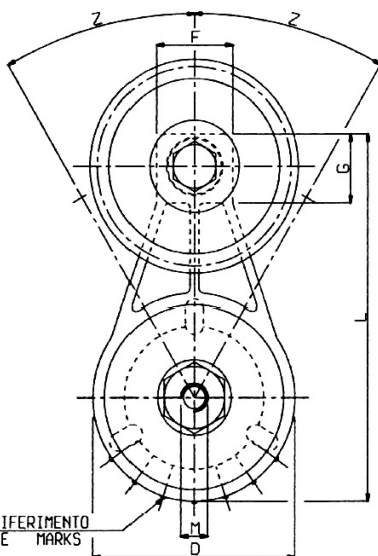
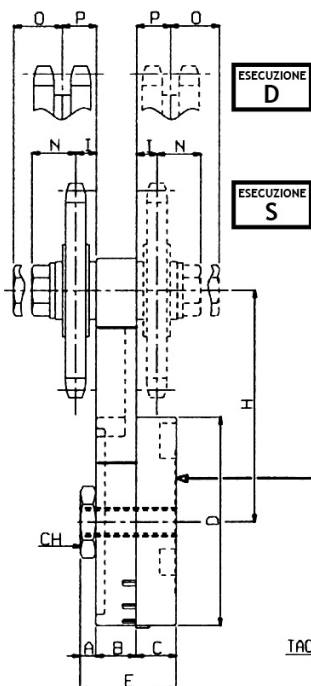


# TENDITORI TIPO TCR



TACCHE DI RIFERIMENTO  
REFERENCE MARKS

Passo Catena	Esecuzione	Resistenza		N° DENTI	A	B	C	CH	D	E	F	G	H	L	M	N	I	O	P	Z	Codice
		MIN N	MAX N		mm	mm	mm	mm	mm	mm	mm	mm	mm	mm	mm	mm	mm	mm	mm	mm	
3/8"x7/32"	S	80	160	21	5	15	15	27	63.3	36	23	23	75.5	119	M10	19.7	9.2			45°	TCR05 3/8S
3/8"x7/32"	S	120	240	21	5	15.3	15.3	27	69.5	36	29.5	25	86.5	133.5	M10	19.7	9.2			45°	TCR1 3/8S
3/8"x7/32"	D	120	240	21	5	15.3	15.3	27	69.5	36	29.5	25	86.5	133.5	M10			18	11	45°	TCR1 3/8D
1/2"x5/16"	S	120	240	16	5	15.3	15.3	27	69.5	36	29.5	25	86.5	133.5	M10	19.7	9.2			45°	TCR1 1/2S
1/2"x5/16"	D	120	240	16	5	15.3	15.3	27	69.5	36	29.5	25	86.5	133.5	M10			16.5	12.5	45°	TCR1 1/2D
5/8"x3/8"	S	120	240	17	5	15.3	15.3	27	69.5	36	29.5	25	86.5	133.5	M10	19.7	9.2			45°	TCR1 5/8S
5/8"x3/8"	D	120	240	17	5	15.3	15.3	27	69.5	36	29.5	25	86.5	133.5	M10			17.7	15.2	45°	TCR1 5/8D
5/8"x3/8"	S	240	380	17	7	18	18	27	89.5	43	34	30	100	159	M12	19.7	9.2			30°	TCR2 5/8S
5/8"x3/8"	D	240	380	17	7	18	18	27	89.5	43	34	30	100	159	M12			17.7	15.2	30°	TCR2 5/8D
3/4"x7/16"	S	240	380	15	7	18	18	27	89.5	43	34	30	100	159	M12	19.7	9.2			30°	TCR2 3/4S
3/4"x7/16"	D	240	380	15	7	18	18	27	89.5	43	34	30	100	159	M12			19.2	17.6	30°	TCR2 3/4D
1"X17mm	S	240	380	12	7	18	18	27	89.5	43	34	30	100	159	M12	19.7	9.2			30°	TCR2 1S
1"X17mm	D	240	380	12	7	18	18	27	89.5	43	34	30	100	159	M12			34.6	26.6	30°	TCR2 1D

