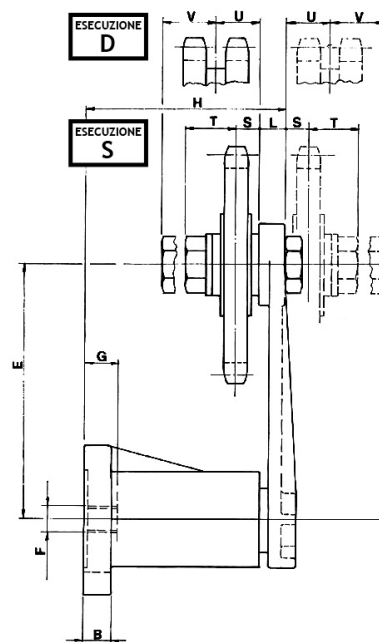
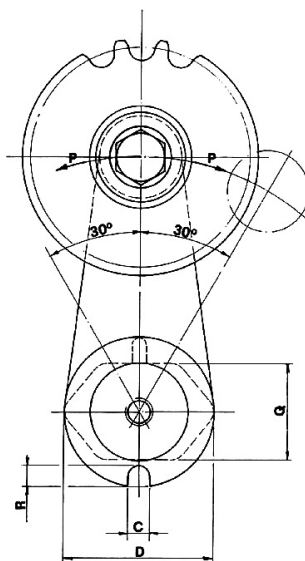


TENDITORI TIPO RHR



Passo Catena	Esecuzione	Resistenza		N° DENTI	B	C	D	E	F	G	H±1	L	Q	R	S	T	U	V	Codice	
		MIN	MAX																	
		N	N		mm	mm	mm	mm	mm	mm	mm	mm	mm	mm	mm	mm	mm	mm		
3/8"x7/32"	S	0	100	21	6	8	35	80	M6	8.5	47.5	8	22	4	9.2	19.7				RHR111 3/8S
3/8"x7/32"	D	0	100	21	6	8	35	80	M6	8.5	47.5	8	22	4			11	18		RHR111 3/8D
3/8"x7/32"	S	0	150	21	8	8.5	45	100	M8	10.5	61	8	30	5	9.2	19.7				RHR155 3/8S
3/8"x7/32"	D	0	150	21	8	8.5	45	100	M8	10.5	61	8	30	5			11	18		RHR155 3/8D
1/2"x5/16"	S	0	150	16	8	8.5	45	100	M8	10.5	61	8	30	5	9.2	19.7				RHR155 1/2S
1/2"x5/16"	D	0	150	16	8	8.5	45	100	M8	10.5	61	8	30	5			12.5	16.5		RHR155 1/2D
1/2"x5/16"	S	0	300	16	10	8.5	58	100	M10	13	75	10	37	7.5	9.2	19.7				RHR188 1/2S
1/2"x5/16"	D	0	300	16	10	8.5	58	100	M10	13	75	10	37	7.5			12.5	16.5		RHR188 1/2D
5/8"x3/8"	S	0	300	17	10	8.5	58	100	M10	13	75	10	37	7.5	9.2	19.7				RHR188 5/8S
5/8"x3/8"	D	0	300	17	10	8.5	58	100	M10	13	75	10	37	7.5			15.2	17.7		RHR188 5/8D
3/4"x7/16"	S	0	900	15	15	10.5	78	130	M12	17	104	12	53	9.5	9.2	19.7				RHR277 3/4S
3/4"x7/16"	D	0	900	15	15	10.5	78	130	M12	17	104	12	53	9.5			17.6	19.2		RHR277 3/4D
1"X17mm	S	0	900	15	15	10.5	78	130	M12	17	104	12	53	9.5	8.9	19.4				RHR277 1S
1"X17mm	D	0	900	15	15	10.5	78	130	M12	17	104	12	53	9.5			26.6	34.6		RHR277 1D

