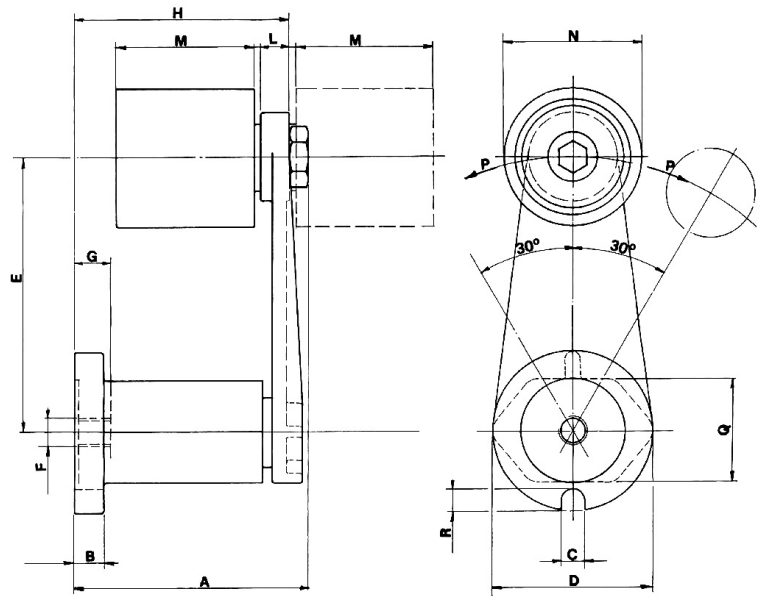
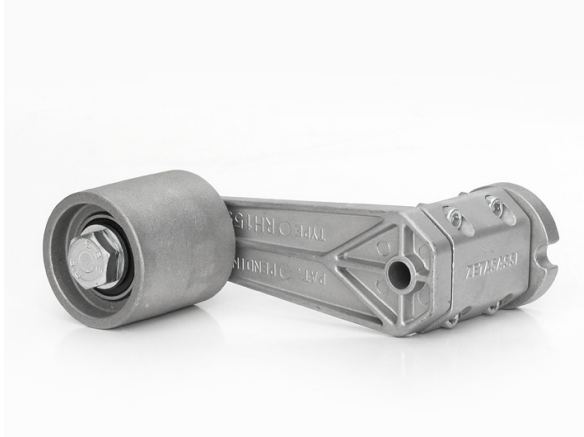


TENDITORI TIPO RHPU



DIMENSIONE RULLO	Resistenza P		A±1	B	C	D	E	F	G	H±1	L	M	N	Q	R	Codice
	MIN	MAX														
	N	N														
30X35	0	100	52.5	6	8	35	80	M6	8.5	47.5	8	35	30	22	4	RHPU111
40X45	0	150	66	8	8.5	45	100	M8	10.5	61	8	50	50	30	5	RHPU155
50X50	0	300	79	10	8.5	58	100	M10	13	75	10	50	50	37	7.5	RHPU188
60X60	0	900	110	15	10.5	78	130	M12	17	104	12	60	60	53	9.5	RHPU277