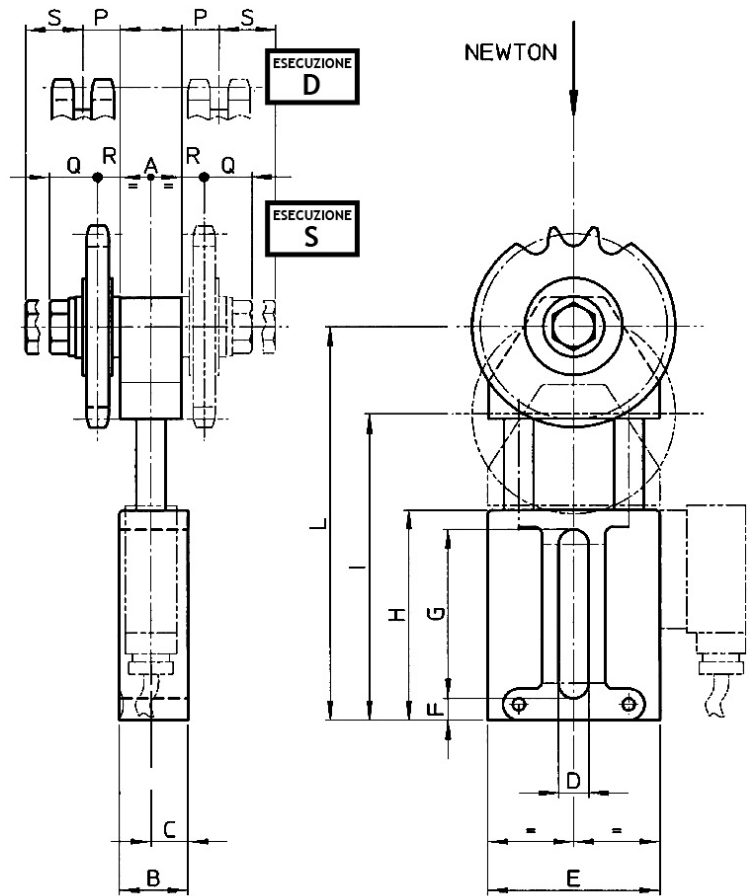
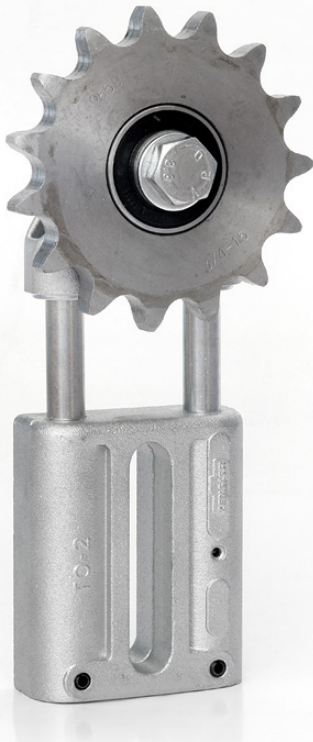


TENDITORI TIPO ETR



PASSO CATENA	Esecuzione	Resistenza		N° DENTI	A	B	C	D	E	F	G	H	I	L	Q	R	S	P	Codice	
		MIN N	MAX N																	
3/8"x7/32"	S	130	250	21	20	23	12.5	11	56.2	7	58	74	101.5	129.5	19.7	9.2				ETR1 3/8S
3/8"x7/32"	D	130	250	21	20	23	12.5	11	56.2	7	58	74	101.5	129.5			18	11		ETR1 3/8D
1/2"x5/16"	S	130	250	16	20	23	12.5	11	56.2	7	58	74	101.5	129.5	19.7	9.2				ETR1 1/2S
1/2"x5/16"	D	130	250	16	20	23	12.5	11	56.2	7	58	74	101.5	129.5			16.5	12.5		ETR1 1/2D
5/8"x3/8"	S	180	420	17	25	28	15	12.5	70.5	7	72	87	128.5	164.5	19.7	9.2				ETR2 5/8S
5/8"x3/8"	D	180	420	17	25	28	15	12.5	70.5	7	72	87	128.5	164.5			17.7	15.2		ETR2 5/8D
3/4"x7/16"	S	180	420	15	25	28	15	12.5	70.5	7	72	87	128.5	164.5	19.7	9.2				ETR2 3/4S
3/4"x7/16"	D	180	420	15	25	28	15	12.5	70.5	7	72	87	128.5	164.5			19.2	17.6		ETR2 3/4D
1"x17mm	S	300	650	12	30	33	17.5	14.5	82	9	86	104	154	195.5	19.4	8.9				ETR3 1S
1"x17mm	D	300	650	12	30	33	17.5	14.5	82	9	86	104	154	195.5			34.6	26.6		ETR3 1D

