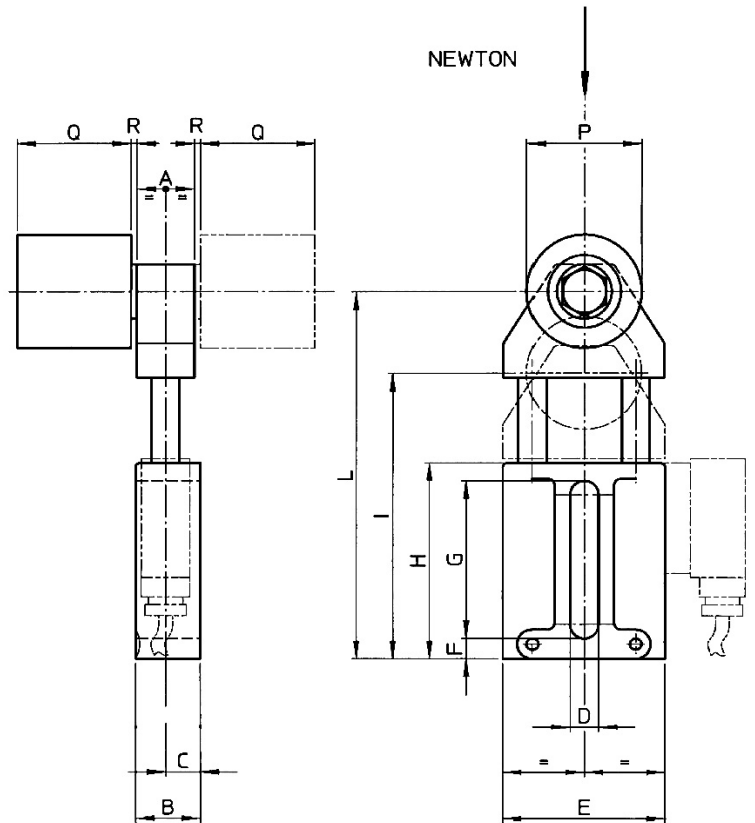


TENDITORI TIPO ETPU



DIMENSIONE RULLO	Resistenza		A	B	C	D	E	F	G	H	I	L	P	Q	R	Codice
	MIN	MAX														
	N	N														
30X35	130	250	20	23	12.5	11	56.2	7	58	74	101.5	129.5	30	35	2.5	ET1PU30X35
40X45	130	250	20	23	12.5	11	56.2	7	58	74	101.5	129.5	40	45	6	ET1PU40X45
50X50	180	420	25	28	15	12.5	70.5	7	72	87	140.5	176.5	50	50	2.5	ET2PU50X50
60X60	300	650	30	33	17.5	14.5	82	9	86	104	167	209.5	60	60	2.5	ET3PU60X60

