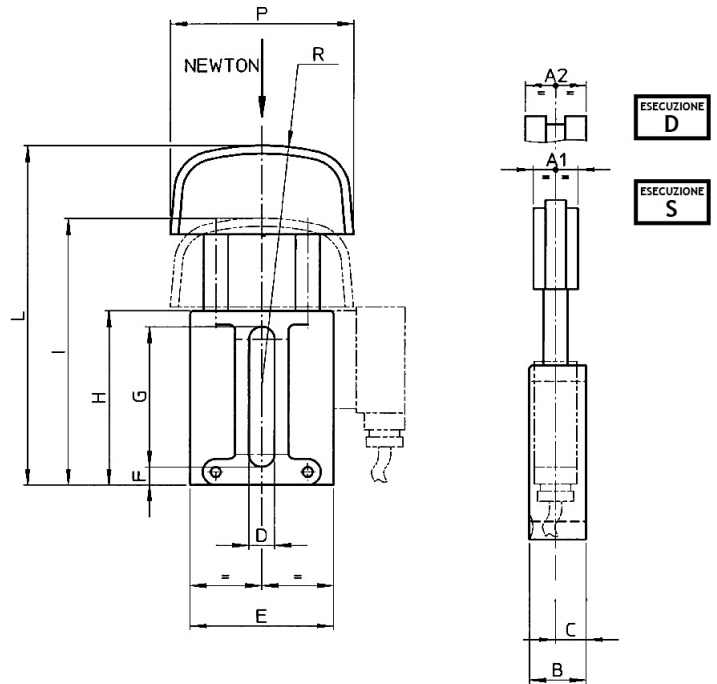
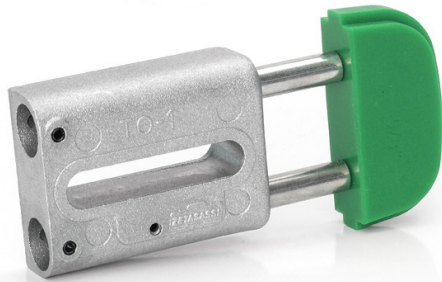


TENDITORI TIPO TO



| Passo Catena | Esecuzione | Resistenza | | A1 (S) mm | A2 (D) mm | B mm | C mm | D mm | E mm | F mm | G mm | H mm | I mm | L mm | P mm | R mm | Codice |
|--------------|------------|------------|-----|-----------------|-----------------|---------|---------|---------|---------|---------|---------|---------|---------|---------|---------|---------|------------|
| | | MIN | MAX | | | | | | | | | | | | | | |
| | | N | N | | | | | | | | | | | | | | |
| 3/8"x7/32" | S | 130 | 250 | 20 | | 23 | 12.5 | 11 | 56.2 | 7 | 58 | 74 | 110 | 138 | 70 | 100 | T01 3/8S |
| 3/8"x7/32" | D | 130 | 250 | | 20 | 23 | 12.5 | 11 | 56.2 | 7 | 58 | 74 | 110 | 138 | 70 | 100 | T01 3/8D |
| 1/2"x5/16" | S | 130 | 250 | 20 | | 23 | 12.5 | 11 | 56.2 | 7 | 58 | 74 | 110 | 138 | 70 | 100 | T01 1/2S |
| 1/2"x5/16" | D | 130 | 250 | | 20 | 23 | 12.5 | 11 | 56.2 | 7 | 58 | 74 | 110 | 138 | 70 | 100 | T01 1/2D |
| 5/8"x3/8" | S | 130 | 250 | 20 | | 23 | 12.5 | 11 | 56.2 | 7 | 58 | 74 | 110 | 138 | 70 | 100 | T01 5/8S |
| 5/8"x3/8" | D | 130 | 250 | | 25 | 23 | 12.5 | 11 | 56.2 | 7 | 58 | 74 | 110 | 138 | 70 | 100 | T01 5/8D |
| 5/8"x3/8" | S | 180 | 420 | 22 | | 28 | 15 | 12.5 | 70.5 | 7 | 72 | 87 | 133 | 169 | 90 | 120 | T02 5/8S |
| 5/8"x3/8" | D | 180 | 420 | | 25 | 28 | 15 | 12.5 | 70.5 | 7 | 72 | 87 | 133 | 169 | 90 | 120 | T02 5/8D |
| 3/4"x7/16" | S | 180 | 420 | 22 | | 28 | 15 | 12.5 | 70.5 | 7 | 72 | 87 | 133 | 169 | 90 | 120 | T02 3/4S |
| 3/4"x7/16" | D | 180 | 420 | | 30 | 28 | 15 | 12.5 | 70.5 | 7 | 72 | 87 | 133 | 169 | 90 | 120 | T02 3/4D |
| 1"x17mm | S | 300 | 650 | 25 | | 33 | 17.5 | 14.5 | 82 | 9 | 86 | 104 | 160 | 202 | 110 | 140 | T03 1S |
| 1 1/4"x3/4" | S | 300 | 650 | 25 | | 33 | 17.5 | 14.5 | 82 | 9 | 86 | 104 | 160 | 202 | 110 | 140 | T03 1 1/4S |
| 1 1/2"x1" | S | 300 | 650 | 25 | | 33 | 17.5 | 14.5 | 82 | 9 | 86 | 104 | 160 | 202 | 110 | 140 | T03 1 1/2S |

