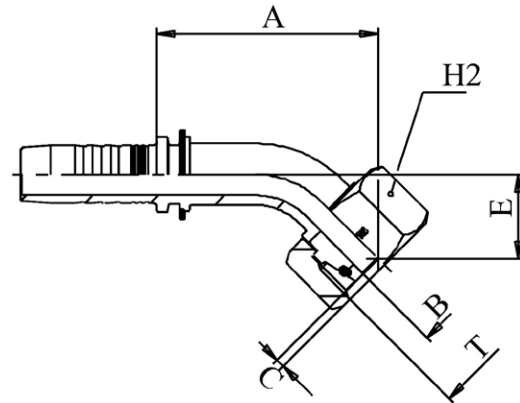
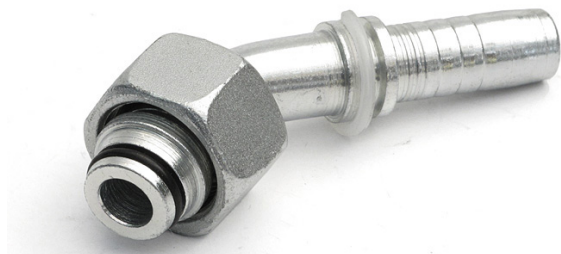


RACCORDI A PRESSURE

FEMMINA METRICA 45° CONO 24° O'RING SERIE PESANTE - DIN 20066/3865 - PFK45 P



Filetto		Ø Interno tubo		Ø L PIPE	Codice
Ø mm	passo	mm	inch	mm	
16	x 1,5	6	1/4"	8	PFK4516PDN6
18	x 1,5	6	1/4"	10	PFK4518PDN6
20	x 1,5	8	5/16"	12	PFK4520PDN8
20	x 1,5	10	3/8"	12	PFK4520PDN10
22	x 1,5	10	3/8"	14	PFK4522PDN10
24	x 1,5	13	1/2"	16	PFK4524PDN13
30	x 2,0	16	5/8"	20	PFK4530PDN16
30	x 2,0	19	3/4"	20	PFK4530PDN19
36	x 2,0	19	3/4"	25	PFK4536PDN19
42	x 2,0	25	1"	30	PFK4542PDN25
52	x 2,0	32	1.1/4"	38	PFK4552PDN32