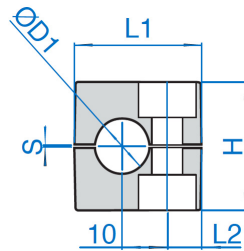
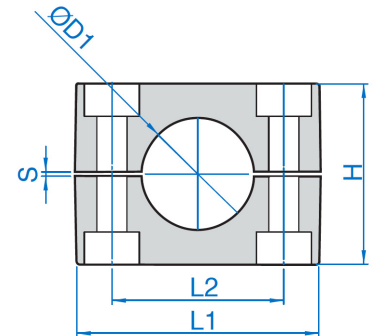


# COLLARI PI.EFFE.CI STANDARD

## CORPO COLLARE NUDO



TAGLIA 1



TAGLIA 2 - 9

Ø TUBO D1		Taglia	L1	L2	H	S	Spessore	Codice
mm	inch GAS							
6		1	28	7.6	27	0.6	30	CLC1D06
8		1	28	7.6	27	0.6	30	CLC1D08
10		1	28	7.6	27	0.6	30	CLC1D10
12		1	28	7.6	27	0.6	30	CLC1D12
12.7		1	28	7.6	27	0.6	30	CLC1D12.7
6		2	37	20	27	0.6	30	CLC2D06
8		2	37	20	27	0.6	30	CLC2D08
10		2	37	20	27	0.6	30	CLC2D10
12		2	37	20	27	0.6	30	CLC2D12
12.7		2	37	20	27	0.6	30	CLC2D12.7
12.7		3	42	26	33	0.8	30	CLC3D12.7
	1/4	3	42	26	33	0.8	30	CLC3D1/4
14		3	42	26	33	0.8	30	CLC3D14
15		3	42	26	33	0.8	30	CLC3D15
16		3	42	26	33	0.8	30	CLC3D16
	3/8	3	42	26	33	0.8	30	CLC3D3/8
18		3	42	26	33	0.8	30	CLC3D18
20		4	50	33	36	0.8	30	CLC4D20
	1/2	4	50	33	36	0.8	30	CLC4D1/2
22		4	50	33	36	0.8	30	CLC4D22
23		4	50	33	36	0.8	30	CLC4D23
25		4	50	33	36	0.8	30	CLC4D25
	3/4	5	57	40	42	1	30	CLC5D3/4
28		5	57	40	42	1	30	CLC5D28
29		5	57	40	42	1	30	CLC5D29
30		5	57	40	42	1	30	CLC5D30
32		5	57	40	42	1	30	CLC5D32
32		6	71	52	58	1.4	30	CLC6D32
	1	6	71	52	58	1.4	30	CLC6D01
35		6	71	52	58	1.4	30	CLC6D35



**COLLARI PI.EFFE.CI STANDARD**  
CORPO COLLARE NUDO



Ø TUBO D1		Taglia	L1 mm	L2 mm	H mm	S mm	Spessore mm	Codice
mm	inch GAS							
38		6	71	52	58	1.4	30	CLC6D38
40		6	71	52	58	1.4	30	CLC6D40
42		6	71	52	58	1.4	30	CLC6D42
45		6	71	52	58	1.4	30	CLC6D45
45		7	86	66	66	1.4	30	CLC7D45
	1 1/2	7	86	66	66	1.4	30	CLC7D11/2
50		7	86	66	66	1.4	30	CLC7D50
50.8		7	86	66	66	1.4	30	CLC7D50.8
53		7	86	66	66	1.4	30	CLC7D53
54		7	86	66	66	1.4	30	CLC7D54
57.2		8	121	94	93	2	30	CLC8D57.2
60.3		8	121	94	93	2	30	CLC8D60.3
70		8	121	94	93	2	30	CLC8D70
73		8	121	94	93	2	30	CLC8D73
76.1		8	121	94	93	2	30	CLC8D76.1
88.9		9	147	120	118	3	30	CLC9D88.9
102		9	147	120	118	3	30	CLC9D102

