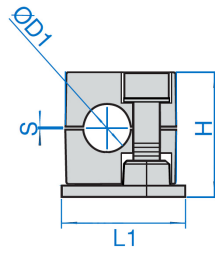
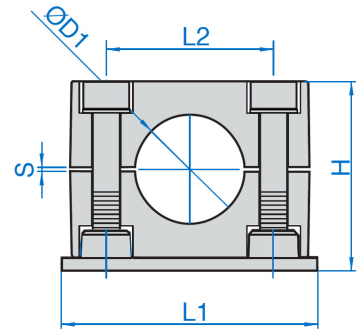


COLLARI P.I.EFFE.CI STANDARD

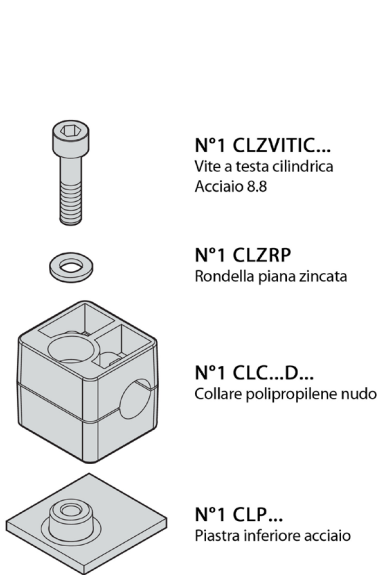
COLLARE COMPLETO



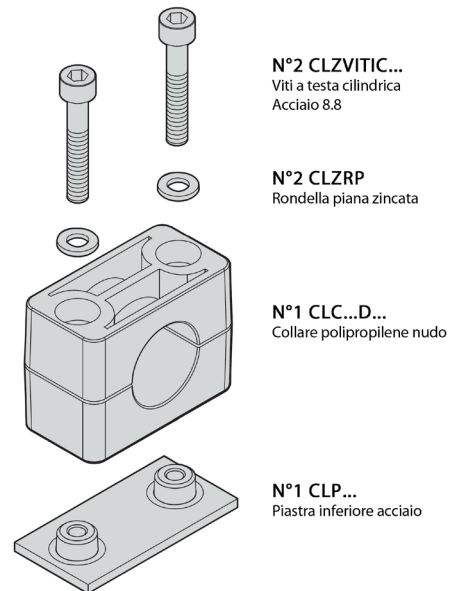
TAGLIA 1



TAGLIA 2 - 9



TAGLIA 1



TAGLIA 2 - 9

Ø TUBO D1		Taglia	L1 mm	L2 mm	H mm	S mm	Spessore mm	Codice
mm	inch GAS							
6		1	32	-	30	0.6	30	CLC1D06P
8		1	32	-	30	0.6	30	CLC1D08P
10		1	32	-	30	0.6	30	CLC1D10P
12		1	32	-	30	0.6	30	CLC1D12P
12.7		1	32	-	30	0.6	30	CLC1D12.7P
6		2	36	20	30	0.6	30	CLC2D06P
8		2	36	20	30	0.6	30	CLC2D08P
10		2	36	20	30	0.6	30	CLC2D10P
12		2	36	20	30	0.6	30	CLC2D12P
12.7		2	36	20	30	0.6	30	CLC2D12.7P
12.7		3	42	26	36	0.8	30	CLC3D12.7P
	1/4	3	42	26	36	0.8	30	CLC3D1/4P



COLLARI PI.EFFE.CI STANDARD
COLLARE COMPLETO



Ø TUBO D1		Taglia	L1 mm	L2 mm	H mm	S mm	Spessore mm	Codice
mm	inch GAS							
14		3	42	26	36	0.8	30	CLC3D14P
15		3	42	26	36	0.8	30	CLC3D15P
16		3	42	26	36	0.8	30	CLC3D16P
	3/8	3	42	26	36	0.8	30	CLC3D3/8P
18		3	42	26	36	0.8	30	CLC3D18P
20		4	54	33	39	0.8	30	CLC4D20P
	1/2	4	54	33	39	0.8	30	CLC4D1/2P
22		4	54	33	39	0.8	30	CLC4D22P
23		4	54	33	39	0.8	30	CLC4D23P
25		4	54	33	39	0.8	30	CLC4D25P
	3/4	5	61	40	45	1	30	CLC5D3/4P
28		5	61	40	45	1	30	CLC5D28P
29		5	61	40	45	1	30	CLC5D29P
30		5	61	40	45	1	30	CLC5D30P
32		5	61	40	45	1	30	CLC5D32P
32		6	73	52	61	1.4	30	CLC6D32P
	1	6	73	52	61	1.4	30	CLC6D01P
35		6	73	52	61	1.4	30	CLC6D35P
38		6	73	52	61	1.4	30	CLC6D38P
40		6	73	52	61	1.4	30	CLC6D40P
42		6	73	52	61	1.4	30	CLC6D42P
45		6	73	52	61	1.4	30	CLC6D45P
45		7	88	66	69	1.4	30	CLC7D45P
	1 1/2	7	88	66	69	1.4	30	CLC7D11/2P
50		7	88	66	69	1.4	30	CLC7D50P
50.8		7	88	66	69	1.4	30	CLC7D50.8P
53		7	88	66	69	1.4	30	CLC7D53P
54		7	88	66	69	1.4	30	CLC7D54P
57.2		8	122	94	98	2	30	CLC8D57.2P
60.3		8	122	94	98	2	30	CLC8D60.3P
70		8	122	94	98	2	30	CLC8D70P
73		8	122	94	98	2	30	CLC8D73P
76.1		8	122	94	98	2	30	CLC8D76.1P
88.9		9	148	120	123	3	30	CLC9D88.9P
102		9	148	120	123	3	30	CLC9D102P

