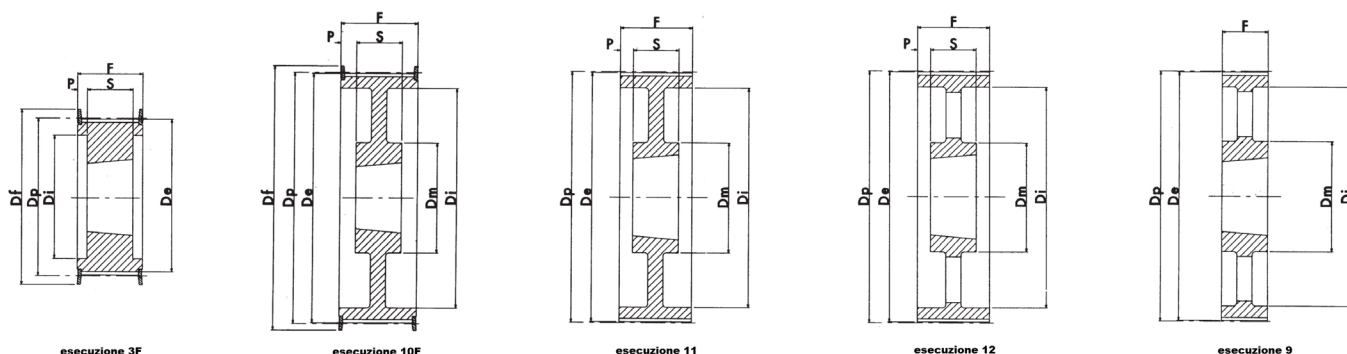


# PULEGGE DENTATE TIPO HTD - FORO CONICO PER BUSSOLA TAPER LOCK PASSO 14mm PER CINGHIA LARGA 85mm



Materiale  
AC = ACCIAIO  
GH = GHISA



N°Denti	Bussole	FORO MAX mm	Esecuzione	Flangia	Dp mm	De mm	Df mm	Dm mm	Di mm	F mm	S mm	P mm	Materiale	Codice
28	2517	60	3F	✓	124.78	122.12	128	-	98	102	45	28.5	AC	2814M85FTL
30	2517	60	3F	✓	133.69	130.99	138	-	100	102	45	28.5	AC	3014M85FTL
32	2517	60	3F	✓	142.60	139.88	154	-	108	102	45	28.5	AC	3214M85FTL
34	2517	60	3F	✓	151.52	148.79	160	-	110	102	45	28.5	AC	3414M85FTL
36	3020	75	3F	✓	160.43	157.68	168	-	125	102	51	25.5	AC	3614M85FTL
38	3020	75	3F	✓	169.34	166.60	183	-	130	102	51	25.5	AC	3814M85FTL
40	3020	75	3F	✓	178.25	175.49	188	-	138	102	51	25.5	AC	4014M85FTL
44	3020	75	3F	✓	196.08	193.28	211	-	153	102	51	25.5	AC	4414M85FTL
48	3020	75	3F	✓	213.90	211.11	226	-	171	102	51	25.5	AC	4814M85FTL
56	3525	90	3F	✓	249.55	246.76	256	-	210	102	65	18.5	AC	5614M85FTL
64	3525	90	10F	✓	285.21	282.41	296	190	240	102	65	18.5	GH	6414M85FTL
72	3525	90	11		320.86	318.06	-	190	280	102	65	18.5	GH	7214M85TL
80	3525	90	12		356.51	353.71	-	190	315	102	65	18.5	GH	8014M85TL
90	3525	90	12		401.07	398.28	-	190	360	102	65	18.5	GH	9014M85TL
112	3525	90	12		499.11	496.32	-	190	457	102	65	18.5	GH	11214M85TL
144	3525	90	12		641.71	638.92	-	190	600	102	65	18.5	GH	14414M85TL
168	3525	90	12		748.66	745.87	-	190	706	102	65	18.5	GH	16814M85TL
192	4040	100	9		855.62	852.82	-	230	813	102	102	-	GH	19214M85TL
216	4040	100	9		962.57	959.76	-	230	920	102	102	-	GH	21614M85TL
264	4040	100	9		1176.47	1173.66	-	230	1133	102	102	-	GH	26414M85TL

