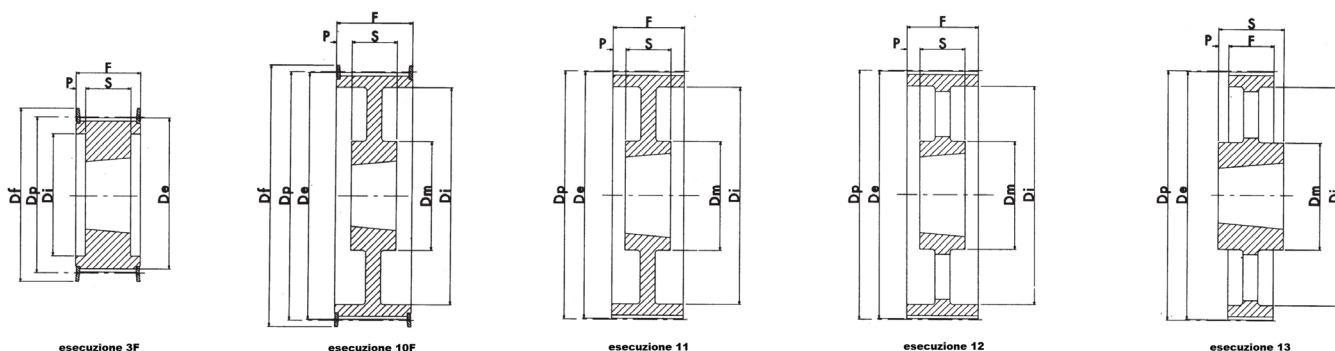


PULEGGE DENTATE TIPO HTD - FORO CONICO PER BUSSOLA TAPER LOCK PASSO 14mm PER CINGHIA LARGA 55mm



Materiale
AC = ACCIAIO
GH = GHISA



N°Denti	Bussola	FORO MAX mm	Esecuzione	Flangia	Dp mm	De mm	Df mm	Dm mm	Di mm	F mm	S mm	P mm	Materiale	Codice
28	2012	50	3F	✓	124.78	122.12	128	-	94	70	32	19	AC	2814M55FTL
30	2517	60	3F	✓	133.69	130.99	138	-	98	70	45	12.5	AC	3014M55FTL
32	2517	60	3F	✓	142.60	139.88	154	-	108	70	45	12.5	AC	3214M55FTL
34	2517	60	3F	✓	151.52	148.79	160	-	110	70	45	12.5	AC	3414M55FTL
36	2517	60	3F	✓	160.43	157.68	168	-	120	70	45	12.5	AC	3614M55FTL
38	2517	60	3F	✓	169.34	166.60	183	-	130	70	45	12.5	AC	3814M55FTL
40	2517	60	3F	✓	178.25	175.49	188	-	138	70	45	12.5	AC	4014M55FTL
44	3020	75	3F	✓	196.08	193.28	211	-	155	70	51	9.5	AC	4414M55FTL
48	3020	75	3F	✓	213.90	211.11	226	-	170	70	51	9.5	AC	4814M55FTL
56	3020	75	3F	✓	249.55	246.76	256	-	208	70	51	9.5	AC	5614M55FTL
64	3020	75	10F	✓	285.21	282.41	296	170	240	70	51	9.5	GH	6414M55FTL
72	3020	75	11		320.86	318.06	-	170	280	70	51	9.5	GH	7214M55TL
80	3020	75	12		356.51	353.71	-	170	315	70	51	9.5	GH	8014M55TL
90	3020	75	12		401.07	398.28	-	170	360	70	51	9.5	GH	9014M55TL
112	3020	75	12		499.11	496.32	-	170	457	70	51	9.5	GH	11214M55TL
144	3020	75	12		641.71	638.92	-	170	600	70	51	9.5	GH	14414M55TL
168	3020	75	12		748.66	745.87	-	170	706	70	51	9.5	GH	16814M55TL
192	3020	75	12		855.62	852.82	-	170	813	70	51	9.5	GH	19214M55TL
216	3535	90	12		962.57	959.76	-	170	920	70	89	9.5	GH	21614M55TL
264	4040	100	13		1176.47	1173.66	-	230	1133	70	102	16	GH	26414M55TL

