

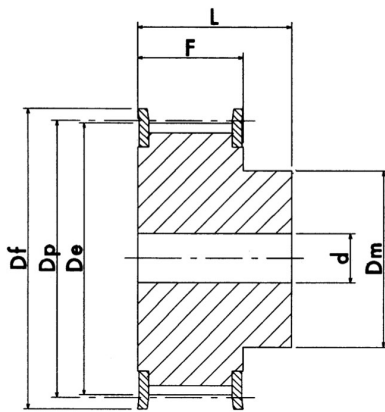
# PULEGGE DENTATE PER CINGHIE POSITIVE IN POLLICI - MOZZO GREZZO

## PASSO H (1/2", 12.7mm) PER CINGHIA LARGA 100 (25.40mm)

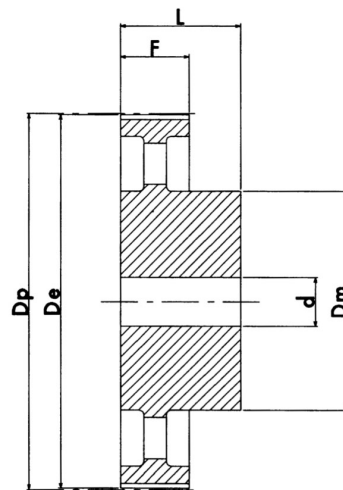


Materiale

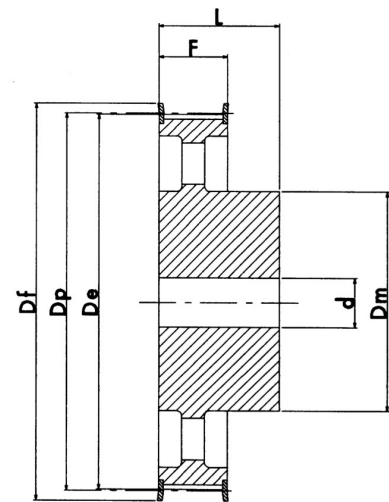
AC = ACCIAIO  
AL = ALLUMINIO  
GH = GHISA



esecuzione 1F



esecuzione 4



esecuzione 5F

N°Denti	Esecuzione	Flangia	Dp	De	Df	Dm	F	L	d	Materiale	Codice
			mm	mm	mm	mm	mm	mm	mm		
14	1F	✓	56.59	55.22	64.0	40	31.8	45	-	AC	14H100F
15	1F	✓	60.64	59.27	66.5	45	31.8	45	-	AC	15H100F
16	1F	✓	64.67	63.31	70.0	45	31.8	45	-	AC	16H100F
17	1F	✓	68.72	67.35	75.0	45	31.8	45	-	AC	17H100F
18	1F	✓	72.77	71.39	79.0	55	31.8	45	-	AC	18H100F
19	1F	✓	76.81	75.44	82.5	60	31.8	45	14	AC	19H100F
20	1F	✓	80.85	79.48	87.0	62	31.8	45	14	AC	20H100F
21	1F	✓	84.89	83.52	91.0	65	31.8	45	14	AC	21H100F
22	1F	✓	88.93	87.56	94.0	68	31.8	45	14	AC	22H100F
23	1F	✓	92.98	91.61	97.0	72	31.8	45	14	AC	23H100F
24	1F	✓	97.03	95.65	102.0	72	31.8	45	14	AC	24H100F
25	1F	✓	101.06	99.69	106.0	72	31.8	45	14	AC	25H100F
26	1F	✓	105.11	103.73	112.0	80	31.8	45	14	AC	26H100F
27	1F	✓	109.15	107.78	115.0	80	31.8	45	14	AC	27H100F



**PULEGGE DENTATE PER CINGHIE POSITIVE IN POLLICI - MOZZO GREZZO**

PASSO H (1/2", 12.7mm) PER CINGHIA LARGA 100 (25.40mm)

N°Denti	Esecuzione	Flangia	Dp mm	De mm	Df mm	Dm mm	F mm	L mm	d mm	Materiale	Codice
28	1F	✓	113.18	111.82	120.0	80	31.8	45	14	AC	28H100F
29	1F	✓	117.23	115.86	120.0	80	31.8	45	14	AC	29H100F
30	1F	✓	121.29	119.90	128.0	80	31.8	45	14	AC	30H100F
32	1F	✓	129.30	127.99	135.0	80	31.8	45	14	AC	32H100F
33	1F	✓	133.40	132.03	142.0	80	31.8	45	14	AC	33H100F
34	1F	✓	137.45	136.07	142.0	80	31.8	45	14	AC	34H100F
35	1F	✓	141.49	140.12	150.0	80	31.8	45	14	AC	35H100F
36	1F	✓	145.54	144.16	150.0	80	31.8	45	14	AC	36H100F
38	1F	✓	153.62	152.24	158.0	80	31.8	45	14	AC	38H100F
40	1F	✓	161.70	160.33	168.0	80	31.8	45	14	AC	40H100F
42	1F	✓	169.79	168.41	180.0	80	31.8	45	14	AC	42H100F
44	5F	✓	177.88	176.50	184.0	80	31.8	50	14	GH	44H100F
45	5F	✓	181.91	180.54	192.0	80	31.8	50	14	GH	45H100F
48	5F	✓	194.03	192.67	200.0	90	31.8	50	14	GH	48H100F
50	4		202.13	200.75	-	90	31.8	50	19	GH	50H100
52	4		210.21	208.84	-	90	31.8	50	19	GH	52H100
58	4		234.47	233.09	-	90	31.8	50	19	GH	58H100
60	4		242.55	241.18	-	120	31.8	50	19	GH	60H100
70	4		282.98	281.61	-	120	31.8	55	19	GH	70H100
72	4		291.06	289.69	-	120	31.8	55	19	GH	72H100
84	4		339.57	338.20	-	120	31.8	55	19	GH	84H100
96	4		388.09	386.71	-	120	31.8	60	19	GH	96H100
120	4		485.12	483.73	-	120	31.8	60	19	GH	120H100

