

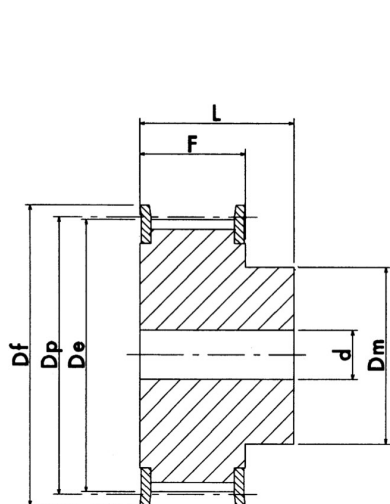
PULEGGE DENTATE PER CINGHIE POSITIVE IN POLLICI - MOZZO GREZZO

PASSO L (3/8", 9.52mm) PER CINGHIA LARGA 100 (25.40mm)

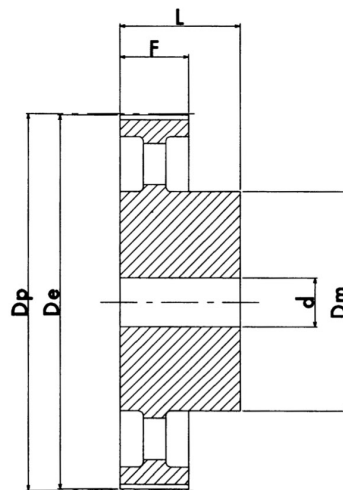


Materiale

AC = ACCIAIO
AL = ALLUMINIO
GH = GHISA



esecuzione 1F



esecuzione 4

N°Denti	Esecuzione	Flangia	Dp	De	Df	Dm	F	L	d	Materiale	Codice
			mm	mm	mm	mm	mm	mm	mm		
10	1F	✓	30.33	29.56	37.00	20	31.8	45	8	AC	10L100F
11	1F	✓	33.35	32.59	37.00	22	31.8	45	8	AC	11L100F
12	1F	✓	36.37	35.62	43.00	24	31.8	45	8	AC	12L100F
13	1F	✓	39.41	38.65	44.00	28	31.8	45	8	AC	13L100F
14	1F	✓	42.44	41.68	48.00	28	31.8	45	11	AC	14L100F
15	1F	✓	45.48	44.72	51.00	34	31.8	45	11	AC	15L100F
16	1F	✓	48.51	47.75	54.00	36	31.8	45	11	AC	16L100F
17	1F	✓	51.54	50.78	57.00	36	31.8	45	11	AC	17L100F
18	1F	✓	54.59	53.81	60.00	40	31.8	45	11	AC	18L100F
19	1F	✓	57.61	56.84	64.00	40	31.8	45	11	AC	19L100F
20	1F	✓	60.63	59.88	66.50	40	31.8	45	11	AC	20L100F
21	1F	✓	63.68	62.91	70.00	45	31.8	45	11	AC	21L100F
22	1F	✓	66.70	65.94	75.00	45	31.8	45	11	AC	22L100F
23	1F	✓	69.73	68.97	79.00	55	31.8	45	11	AC	23L100F



PULEGGE DENTATE PER CINGHIE POSITIVE IN POLLICI - MOZZO GREZZO
PASSO L (3/8", 9.52mm) PER CINGHIA LARGA 100 (25.40mm)

N°Denti	Esecuzione	Flangia	Dp mm	De mm	Df mm	Dm mm	F mm	L mm	d mm	Materiale	Codice
24	1F	✓	72.77	72.00	79.00	55	31.8	45	11	AC	24L100F
25	1F	✓	75.80	75.04	82.50	58	31.8	45	11	AC	25L100F
26	1F	✓	78.84	78.07	86.00	58	31.8	45	11	AC	26L100F
27	1F	✓	81.86	81.10	86.00	58	31.8	45	11	AC	27L100F
28	1F	✓	84.89	84.13	91.00	58	31.8	45	11	AC	28L100F
30	1F	✓	90.96	90.20	97.00	70	31.8	45	11	AC	30L100F
32	1F	✓	97.03	96.26	102.00	70	31.8	45	11	AC	32L100F
33	1F	✓	100.05	99.29	106.00	70	31.8	45	11	AC	33L100F
34	1F	✓	103.08	102.32	112.00	70	31.8	45	11	AC	34L100F
35	1F	✓	106.12	105.35	112.00	70	31.8	45	11	AC	35L100F
36	1F	✓	109.14	108.39	115.00	70	31.8	45	11	AC	36L100F
40	1F	✓	121.29	120.51	128.00	70	31.8	45	11	AC	40L100F
42	1F	✓	127.34	126.57	135.00	70	31.8	45	11	AC	42L100F
44	1F	✓	133.40	132.64	142.00	70	31.8	45	11	AC	44L100F
45	1F	✓	136.44	135.67	142.00	70	31.8	45	11	AC	45L100F
48	1F	✓	145.54	144.77	150.00	70	31.8	45	11	AC	48L100F
50	4		151.60	150.83	-	70	31.8	45	14	GH	50L100
52	4		157.66	156.90	-	70	31.8	45	14	GH	52L100
56	4		169.79	169.02	-	70	31.8	45	14	GH	56L100
57	4		172.82	172.06	-	70	31.8	45	14	GH	57L100
60	4		181.92	181.15	-	75	31.8	45	14	GH	60L100
72	4		218.29	217.53	-	75	31.8	45	14	GH	72L100
84	4		254.69	253.92	-	75	31.8	45	14	GH	84L100
96	4		291.06	290.30	-	75	31.8	45	14	GH	96L100

