

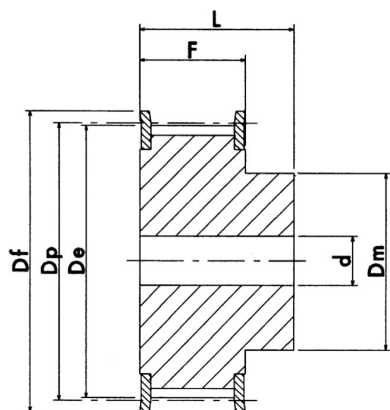
# PULEGGE DENTATE PER CINGHIE POSITIVE IN POLLICI - MOZZO GREZZO

## PASSO L (3/8", 9.52mm) PER CINGHIA LARGA 075 (19.05mm)

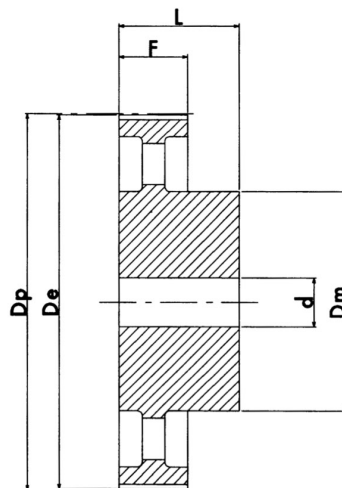


Materiale

AC = ACCIAIO  
AL = ALLUMINIO  
GH = GHISA



esecuzione 1F



esecuzione 4

N°Denti	Esecuzione	Flangia	Dp	De	Df	Dm	F	L	d	Materiale	Codice
			mm	mm	mm	mm	mm	mm	mm		
10	1F	✓	30.33	29.56	37.00	20	25.4	38	8	AC	10L075F
11	1F	✓	33.35	32.59	37.00	22	25.4	38	8	AC	11L075F
12	1F	✓	36.37	35.62	43.00	24	25.4	38	8	AC	12L075F
13	1F	✓	39.41	38.65	44.00	28	25.4	38	8	AC	13L075F
14	1F	✓	42.44	41.68	48.00	28	25.4	38	11	AC	14L075F
15	1F	✓	45.48	44.72	51.00	34	25.4	38	11	AC	15L075F
16	1F	✓	48.51	47.75	54.00	36	25.4	38	11	AC	16L075F
17	1F	✓	51.54	50.78	57.00	36	25.4	38	11	AC	17L075F
18	1F	✓	54.59	53.81	60.00	40	25.4	38	11	AC	18L075F
19	1F	✓	57.61	56.84	64.00	40	25.4	38	11	AC	19L075F
20	1F	✓	60.63	59.88	66.50	40	25.4	38	11	AC	20L075F
21	1F	✓	63.68	62.91	70.00	45	25.4	38	11	AC	21L075F
22	1F	✓	66.70	65.94	75.00	45	25.4	38	11	AC	22L075F
23	1F	✓	69.73	68.97	79.00	55	25.4	38	11	AC	23L075F



**PULEGGE DENTATE PER CINGHIE POSITIVE IN POLLICI - MOZZO GREZZO**

PASSO L (3/8", 9.52mm) PER CINGHIA LARGA 075 (19.05mm)

N°Denti	Esecuzione	Flangia	Dp mm	De mm	Df mm	Dm mm	F mm	L mm	d mm	Materiale	Codice
24	1F	✓	72.77	72.00	79.00	55	25.4	38	11	AC	24L075F
25	1F	✓	75.80	75.04	82.50	58	25.4	38	11	AC	25L075F
26	1F	✓	78.84	78.07	86.00	58	25.4	38	11	AC	26L075F
27	1F	✓	81.86	81.10	86.00	58	25.4	38	11	AC	27L075F
28	1F	✓	84.89	84.13	91.00	58	25.4	38	11	AC	28L075F
30	1F	✓	90.96	90.20	97.00	70	25.4	38	11	AC	30L075F
32	1F	✓	97.03	96.26	102.00	70	25.4	38	11	AC	32L075F
33	1F	✓	100.05	99.29	106.00	70	25.4	38	11	AC	33L075F
34	1F	✓	103.08	102.32	112.00	70	25.4	38	11	AC	34L075F
35	1F	✓	106.12	105.35	112.00	70	25.4	38	11	AC	35L075F
36	1F	✓	109.14	108.39	115.00	70	25.4	38	11	AC	36L075F
40	1F	✓	121.29	120.51	128.00	70	25.4	38	11	AC	40L075F
42	1F	✓	127.34	126.57	135.00	70	25.4	38	11	AC	42L075F
44	1F	✓	133.40	132.64	142.00	70	25.4	38	11	AC	44L075F
45	1F	✓	136.44	135.67	142.00	70	25.4	38	11	AC	45L075F
48	1F	✓	145.54	144.77	150.00	70	25.4	38	11	AC	48L075F
50	4		151.60	150.83	-	70	25.4	38	14	GH	50L075
52	4		157.66	156.90	-	70	25.4	38	14	GH	52L075
56	4		169.79	169.02	-	70	25.4	38	14	GH	56L075
57	4		172.82	172.06	-	70	25.4	38	14	GH	57L075
60	4		181.92	181.15	-	75	25.4	45	14	GH	60L075
72	4		218.29	217.53	-	75	25.4	45	14	GH	72L075
84	4		254.69	253.92	-	75	25.4	45	14	GH	84L075
96	4		291.06	290.30	-	75	25.4	45	14	GH	96L075

