

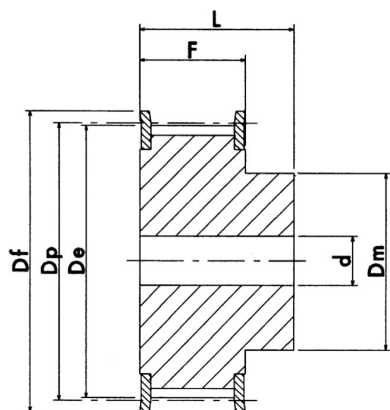
PULEGGE DENTATE PER CINGHIE POSITIVE IN POLLICI - MOZZO GREZZO

PASSO L (3/8", 9.52mm) PER CINGHIA LARGA 050 (12.70mm)

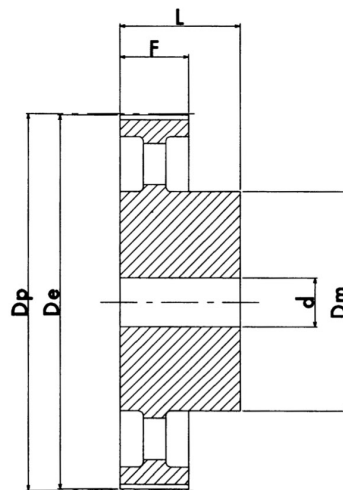


Materiale

AC = ACCIAIO
AL = ALLUMINIO
GH = GHISA



esecuzione 1F



esecuzione 4

N°Denti	Esecuzione	Flangia	Dp	De	Df	Dm	F	L	d	Materiale	Codice
			mm	mm	mm	mm	mm	mm	mm		
10	1F	✓	30.33	29.56	37.00	20	19.0	28	8	AC	10L050F
11	1F	✓	33.35	32.59	37.00	22	19.0	30	8	AC	11L050F
12	1F	✓	36.37	35.62	43.00	24	19.0	30	8	AC	12L050F
13	1F	✓	39.41	38.65	44.00	28	19.0	30	8	AC	13L050F
14	1F	✓	42.44	41.68	48.00	28	19.0	30	8	AC	14L050F
15	1F	✓	45.48	44.72	51.00	34	19.0	30	8	AC	15L050F
16	1F	✓	48.51	47.75	54.00	36	19.0	32	8	AC	16L050F
17	1F	✓	51.54	50.78	57.00	36	19.0	32	10	AC	17L050F
18	1F	✓	54.59	53.81	60.00	40	19.0	32	10	AC	18L050F
19	1F	✓	57.61	56.84	64.00	40	19.0	32	10	AC	19L050F
20	1F	✓	60.63	59.88	66.50	40	19.0	32	10	AC	20L050F
21	1F	✓	63.68	62.91	70.00	45	19.0	32	10	AC	21L050F
22	1F	✓	66.70	65.94	75.00	45	19.0	32	10	AC	22L050F
23	1F	✓	69.73	68.97	79.00	55	19.0	32	10	AC	23L050F



PULEGGE DENTATE PER CINGHIE POSITIVE IN POLLICI - MOZZO GREZZO

PASSO L (3/8", 9.52mm) PER CINGHIA LARGA 050 (12.70mm)

N°Denti	Esecuzione	Flangia	Dp	De	Df	Dm	F	L	d	Materiale	Codice
			mm	mm	mm	mm	mm	mm	mm		
24	1F	✓	72.77	72.00	79.00	55	19.0	32	10	AC	24L050F
25	1F	✓	75.80	75.04	82.50	58	19.0	32	10	AC	25L050F
26	1F	✓	78.84	78.07	86.00	58	19.0	32	11	AC	26L050F
27	1F	✓	81.86	81.10	86.00	58	19.0	32	11	AC	27L050F
28	1F	✓	84.89	84.13	91.00	58	19.0	32	11	AC	28L050F
30	1F	✓	90.96	90.20	97.00	70	19.0	32	11	AC	30L050F
32	1F	✓	97.03	96.26	102.00	70	19.0	32	11	AC	32L050F
33	1F	✓	100.05	99.29	106.00	70	19.0	32	11	AC	33L050F
34	1F	✓	103.08	102.32	112.00	70	19.0	32	11	AC	34L050F
35	1F	✓	106.12	105.35	112.00	70	19.0	32	11	AC	35L050F
36	1F	✓	109.14	108.39	115.00	70	19.0	32	11	AC	36L050F
40	1F	✓	121.29	120.51	128.00	70	19.0	32	11	AC	40L050F
42	1F	✓	127.34	126.57	135.00	70	19.0	32	11	AC	42L050F
44	1F	✓	133.40	132.64	142.00	70	19.0	32	11	AC	44L050F
45	1F	✓	136.44	135.67	142.00	70	19.0	32	11	AC	45L050F
48	1F	✓	145.54	144.77	150.00	70	19.0	32	11	AC	48L050F
50	4		151.60	150.83	-	70	19.0	32	14	GH	50L050
52	4		157.66	156.90	-	70	19.0	32	14	GH	52L050
56	4		169.79	169.02	-	70	19.0	32	14	GH	56L050
57	4		172.82	172.06	-	70	19.0	32	14	GH	57L050
60	4		181.92	181.15	-	75	19.0	42	14	GH	60L050
72	4		218.29	217.53	-	75	19.0	42	14	GH	72L050
84	4		254.69	253.92	-	75	19.0	42	14	GH	84L050
96	4		291.06	290.30	-	75	19.0	42	14	GH	96L050

