

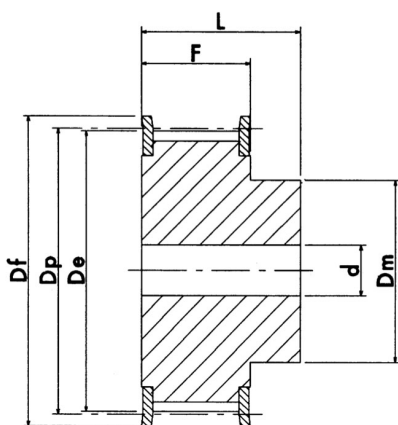
PULEGGE DENTATE PER CINGHIE POSITIVE IN POLLICI - MOZZO GREZZO

PASSO XL (1/5", 5.08mm) PER CINGHIA LARGA 037 (9.40mm)

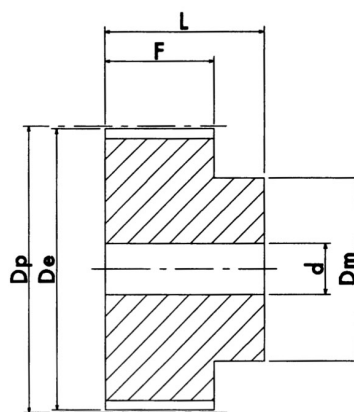


Materiale

AC = ACCIAIO
AL = ALLUMINIO
GH = GHISA



esecuzione 1F



esecuzione 2

N°Denti	Esecuzione	Flangia	Dp	De	Df	Dm	F	L	d	Materiale	Codice
			mm	mm	mm	mm	mm	mm	mm		
10	1F	✓	16.17	15.66	23.0	9.5	14.3	20	-	AC	10XL037F
										AL	10XL037FAL
11	1F	✓	17.79	17.28	23.0	9.5	14.3	20	-	AC	11XL037F
										AL	11XL037FAL
12	1F	✓	19.40	18.90	25.0	10	14.3	20	-	AC	12XL037F
										AL	12XL037FAL
13	1F	✓	21.02	20.51	25.0	10	14.3	20	-	AC	13XL037F
										AL	13XL037FAL
14	1F	✓	22.64	22.13	28.0	15	14.3	20	-	AC	14XL037F
										AL	14XL037FAL
15	1F	✓	24.26	23.75	28.0	15	14.3	20	-	AC	15XL037F
										AL	15XL037FAL
16	1F	✓	25.87	25.36	32.0	16	14.3	20	-	AC	16XL037F
										AL	16XL037FAL
17	1F	✓	27.49	26.98	32.0	20	14.3	20	-	AC	17XL037F
										AL	17XL037FAL



PULEGGE DENTATE PER CINGHIE POSITIVE IN POLLICI - MOZZO GREZZO
PASSO XL (1/5", 5.08mm) PER CINGHIA LARGA 037 (9.40mm)

N°Denti	Esecuzione	Flangia	Dp mm	De mm	Df mm	Dm mm	F mm	L mm	d mm	Materiale	Codice
18	1F	✓	29.11	28.60	35.0	20	14.3	20	-	AC	18XL037F
										AL	18XL037FAL
19	1F	✓	30.72	30.22	35.0	20	14.3	22	-	AC	19XL037F
										AL	19XL037FAL
20	1F	✓	32.34	31.83	38.0	23.5	14.3	22	-	AC	20XL037F
										AL	20XL037FAL
21	1F	✓	33.96	33.45	38.0	23.5	14.3	22	-	AC	21XL037F
										AL	21XL037FAL
22	1F	✓	35.57	35.07	41.0	25	14.3	22	6	AC	22XL037F
										AL	22XL037FAL
24	1F	✓	38.81	38.30	44.0	30	14.3	22	6	AC	24XL037F
										AL	24XL037FAL
26	1F	✓	42.04	41.53	48.0	30	14.3	22	8	AC	26XL037F
										AL	26XL037FAL
27	1F	✓	43.66	43.15	48.0	30	14.3	22	8	AC	27XL037F
										AL	27XL037FAL
28	1F	✓	45.28	44.77	51.0	34	14.3	22	8	AC	28XL037F
										AL	28XL037FAL
30	1F	✓	48.51	48.00	54.0	38	14.3	22	8	AC	30XL037F
										AL	30XL037FAL
32	1F	✓	51.74	51.24	57.0	38	14.3	25	8	AC	32XL037F
										AL	32XL037FAL
34	1F	✓	54.98	54.47	61.0	38	14.3	25	8	AC	34XL037F
										AL	34XL037FAL
35	1F	✓	56.60	56.09	61.0	38	14.3	25	8	AC	35XL037F
										AL	35XL037FAL
36	2		58.21	57.70	-	45	14.3	25	8	AL	36XL037
38	2		61.45	60.94	-	45	14.3	25	8	AL	38XL037
40	2		64.68	64.17	-	45	14.3	25	8	AL	40XL037
42	2		67.91	67.41	-	45	14.3	25	8	AL	42XL037
44	2		71.15	70.64	-	45	14.3	25	8	AL	44XL037
48	2		77.62	77.11	-	45	14.3	25	10	AL	48XL037
60	2		97.02	96.51	-	45	14.3	25	10	AL	60XL037
72	2		116.42	115.92	-	45	14.3	25	10	AL	72XL037

