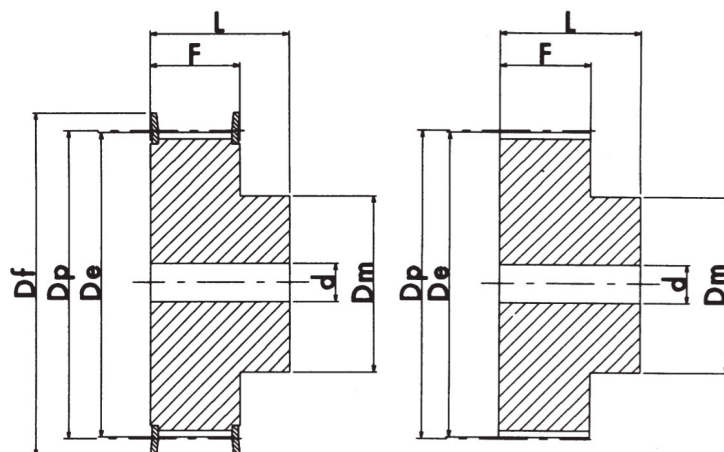


# PULEGGE DENTATE TIPO T - MOZZO GREZZO

## PASSO 10mm PER CINGHIA LARGA 16mm



Materiale: Alluminio

ESECUZIONE 1F

ESECUZIONE 2

N°Denti	Esecuzione	Flangia	L	Dp	De	Df	Dm	F	d	Codice
			mm	mm	mm	mm	mm	mm	mm	
12	1F	✓	31	38.20	36.35	42	28	21	6	31T10Z12F
14	1F	✓	31	44.56	42.70	48	32	21	8	31T10Z14F
15	1F	✓	31	47.75	45.90	51	32	21	8	31T10Z15F
16	1F	✓	31	50.93	49.10	54	35	21	8	31T10Z16F
18	1F	✓	31	57.29	55.45	60	40	21	8	31T10Z18F
19	1F	✓	31	60.48	58.65	66	44	21	8	31T10Z19F
20	1F	✓	31	63.66	61.80	66	46	21	8	31T10Z20F
22	1F	✓	31	70.03	68.20	75	52	21	8	31T10Z22F
24	1F	✓	31	76.39	74.55	83	58	21	8	31T10Z24F
25	1F	✓	31	79.58	77.75	83	60	21	8	31T10Z25F
26	1F	✓	31	82.76	80.90	87	60	21	8	31T10Z26F
27	1F	✓	31	85.95	84.10	91	60	21	8	31T10Z27F
28	1F	✓	31	89.12	87.25	93	60	21	8	31T10Z28F
30	1F	✓	31	95.49	93.65	102	60	21	8	31T10Z30F
32	1F	✓	31	101.86	100.00	106	65	21	10	31T10Z32F
36	1F	✓	31	114.59	112.75	119	70	21	10	31T10Z36F
40	1F	✓	31	127.32	125.45	131	80	21	10	31T10Z40F
44	2		31	140.05	138.20	-	88	21	10	31T10Z44
48	2		31	152.78	150.95	-	95	21	16	31T10Z48
60	2		31	190.98	189.10	-	110	21	16	31T10Z60

