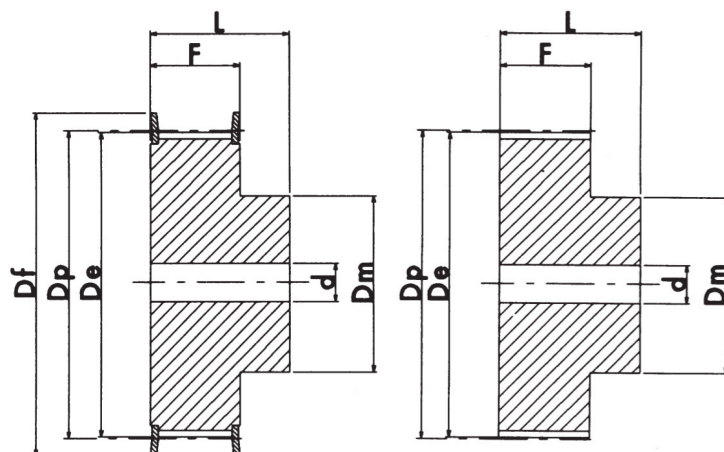


# PULEGGE DENTATE TIPO T - MOZZO GREZZO

## PASSO 5mm PER CINGHIA LARGA 10mm



Materiale: Alluminio

ESECUZIONE 1F

ESECUZIONE 2

N°Denti	Esecuzione	Flangia	L	Dp	De	Df	Dm	F	d	Codice
			mm	mm	mm	mm	mm	mm	mm	
10	1F	✓	21	15.92	15.05	19.5	8	15	-	21T5Z10F
12	1F	✓	21	19.10	18.25	23.0	11	15	-	21T5Z12F
14	1F	✓	21	22.29	21.45	25.0	13	15	-	21T5Z14F
15	1F	✓	21	23.88	23.05	28.0	16	15	6	21T5Z15F
16	1F	✓	21	25.47	24.60	32.0	18	15	6	21T5Z16F
18	1F	✓	21	28.65	27.80	32.0	20	15	6	21T5Z18F
19	1F	✓	21	30.25	29.40	36.0	22	15	6	21T5Z19F
20	1F	✓	21	31.83	31.00	36.0	23	15	6	21T5Z20F
22	1F	✓	21	35.02	34.15	38.0	24	15	6	21T5Z22F
24	1F	✓	21	38.21	37.40	42.0	26	15	6	21T5Z24F
25	1F	✓	21	39.80	38.95	44.0	26	15	6	21T5Z25F
26	1F	✓	21	41.39	40.60	44.0	26	15	6	21T5Z26F
27	1F	✓	21	42.98	42.20	48.0	30	15	8	21T5Z27F
28	1F	✓	21	44.58	43.75	48.0	32	15	8	21T5Z28F
30	1F	✓	21	47.76	46.95	51.0	34	15	8	21T5Z30F
32	1F	✓	21	50.94	50.10	54.0	38	15	8	21T5Z32F
36	1F	✓	21	57.31	56.45	64.0	38	15	8	21T5Z36F
40	1F	✓	21	63.66	62.85	66.5	40	15	8	21T5Z40F
42	1F	✓	21	66.86	66.00	70.0	40	15	8	21T5Z42F
44	2		21	70.05	69.20	-	45	15	8	21T5Z44
48	2		21	76.42	75.55	-	50	15	8	21T5Z48
60	2		21	95.52	94.65	-	65	15	8	21T5Z60

