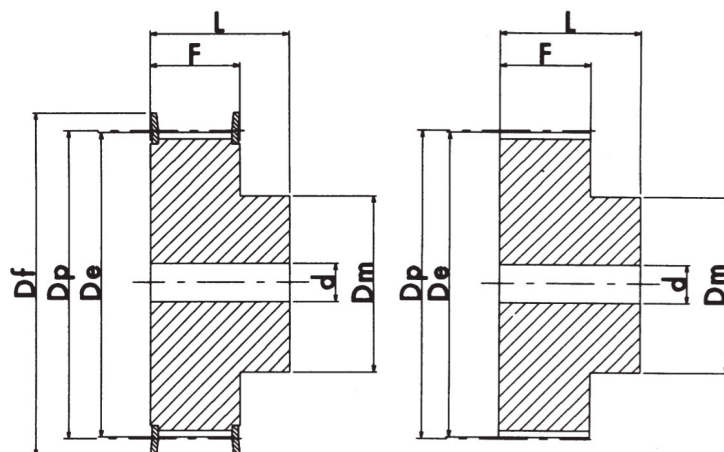


PULEGGE DENTATE TIPO AT - MOZZO GREZZO

PASSO 10mm PER CINGHIA LARGA 32mm



Materiale: Alluminio

ESECUZIONE 1F

ESECUZIONE 2

N°Denti	Esecuzione	Flangia	L	Dp	De	Df	Dm	F	d	Codice
			mm	mm	mm	mm	mm	mm	mm	
18	1F	✓	47	57.29	55.45	60	40	37	10	47AT10Z18F
19	1F	✓	47	60.48	58.60	66.5	44	37	10	47AT10Z19F
20	1F	✓	47	63.66	61.80	66.5	46	37	12	47AT10Z20F
22	1F	✓	47	70.03	68.15	75	52	37	12	47AT10Z22F
24	1F	✓	47	76.39	74.55	83	58	37	12	47AT10Z24F
25	1F	✓	47	79.58	77.70	83	60	37	12	47AT10Z25F
26	1F	✓	47	82.76	80.90	87	60	37	12	47AT10Z26F
27	1F	✓	47	85.95	84.10	91	60	37	12	47AT10Z27F
28	1F	✓	47	89.12	87.25	93	60	37	12	47AT10Z28F
30	1F	✓	47	95.49	93.65	102	60	37	12	47AT10Z30F
32	1F	✓	47	101.86	100.00	106	65	37	12	47AT10Z32F
36	1F	✓	47	114.59	112.75	119	70	37	16	47AT10Z36F
40	1F	✓	47	127.32	125.45	131	80	37	16	47AT10Z40F
44	2		47	140.05	138.20	-	88	37	16	47AT10Z44
48	2		47	152.78	150.95	-	95	37	16	47AT10Z48
60	2		47	190.98	189.10	-	110	37	16	47AT10Z60

