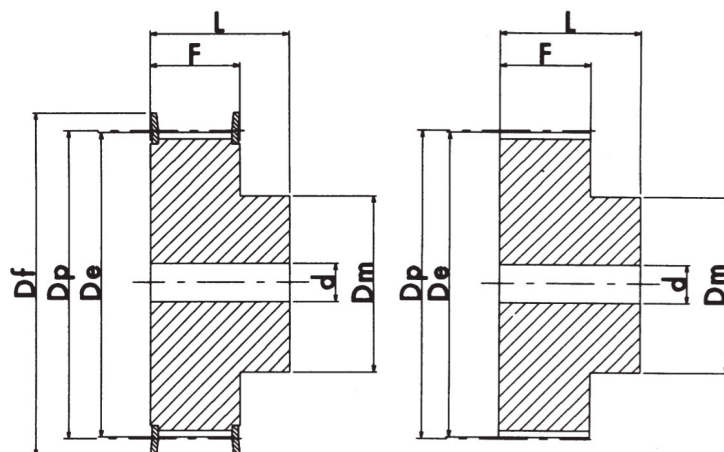


# PULEGGE DENTATE TIPO AT - MOZZO GREZZO

## PASSO 10mm PER CINGHIA LARGA 25mm



Materiale: Alluminio

ESECUZIONE 1F

ESECUZIONE 2

N°Denti	Esecuzione	Flangia	L	Dp	De	Df	Dm	F	d	Codice
			mm	mm	mm	mm	mm	mm	mm	
15	1F	✓	40	47.75	45.90	51	32	30	8	40AT10Z15F
16	1F	✓	40	50.93	49.05	54	35	30	8	40AT10Z16F
18	1F	✓	40	57.29	55.45	60	40	30	8	40AT10Z18F
19	1F	✓	40	60.48	58.60	66.5	44	30	8	40AT10Z19F
20	1F	✓	40	63.66	61.80	66.5	46	30	8	40AT10Z20F
22	1F	✓	40	70.03	68.15	75	52	30	8	40AT10Z22F
24	1F	✓	40	76.39	74.55	83	58	30	8	40AT10Z24F
25	1F	✓	40	79.58	77.70	83	60	30	8	40AT10Z25F
26	1F	✓	40	82.76	80.90	87	60	30	8	40AT10Z26F
27	1F	✓	40	85.95	84.10	91	60	30	8	40AT10Z27F
28	1F	✓	40	89.12	87.25	93	60	30	8	40AT10Z28F
30	1F	✓	40	95.49	93.65	102	60	30	8	40AT10Z30F
32	1F	✓	40	101.86	100.00	106	65	30	10	40AT10Z32F
36	1F	✓	40	114.59	112.75	119	70	30	10	40AT10Z36F
40	1F	✓	40	127.32	125.45	131	80	30	10	40AT10Z40F
44	2		40	140.05	138.20	-	88	30	10	40AT10Z44
48	2		40	152.78	150.95	-	95	30	16	40AT10Z48
60	2		40	190.98	189.10	-	110	30	16	40AT10Z60

