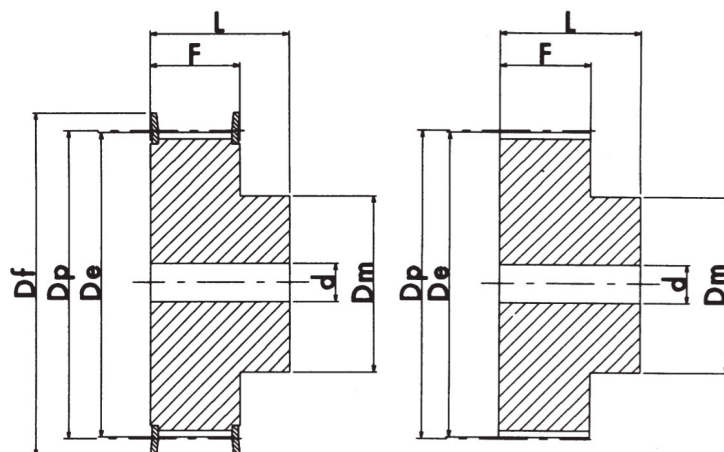


PULEGGE DENTATE TIPO AT - MOZZO GREZZO

PASSO 5mm PER CINGHIA LARGA 16mm



Materiale: Alluminio

ESECUZIONE 1F

ESECUZIONE 2

N°Denti	Esecuzione	Flangia	L	Dp	De	Df	Dm	F	d	Codice
			mm	mm	mm	mm	mm	mm	mm	
12	1F	✓	27	19.10	17.85	23.0	11	21	-	27AT5Z12F
14	1F	✓	27	22.29	21.05	25.0	13	21	-	27AT5Z14F
15	1F	✓	27	23.88	22.65	28.0	16	21	6	27AT5Z15F
16	1F	✓	27	25.47	24.20	32.0	18	21	6	27AT5Z16F
18	1F	✓	27	28.65	27.40	32.0	20	21	6	27AT5Z18F
19	1F	✓	27	30.25	29.00	36.0	22	21	6	27AT5Z19F
20	1F	✓	27	31.83	30.60	36.0	23	21	6	27AT5Z20F
22	1F	✓	27	35.02	33.85	38.0	24	21	6	27AT5Z22F
24	1F	✓	27	38.21	37.00	42.0	26	21	6	27AT5Z24F
25	1F	✓	27	39.80	38.60	44.0	26	21	6	27AT5Z25F
26	1F	✓	27	41.39	40.20	44.0	26	21	6	27AT5Z26F
27	1F	✓	27	42.98	41.80	48.0	30	21	8	27AT5Z27F
28	1F	✓	27	44.58	43.35	48.0	32	21	8	27AT5Z28F
30	1F	✓	27	47.76	46.55	51.0	34	21	8	27AT5Z30F
32	1F	✓	27	50.94	49.70	54.0	38	21	8	27AT5Z32F
36	1F	✓	27	57.31	56.05	64.0	38	21	8	27AT5Z36F
40	1F	✓	27	63.66	62.45	66.5	40	21	8	27AT5Z40F
42	1F	✓	27	66.86	65.60	70.0	40	21	8	27AT5Z42F
44	2		27	70.05	68.80	-	45	21	8	27AT5Z44
48	2		27	76.42	75.15	-	50	21	8	27AT5Z48
60	2		27	95.52	94.25	-	65	21	8	27AT5Z60

