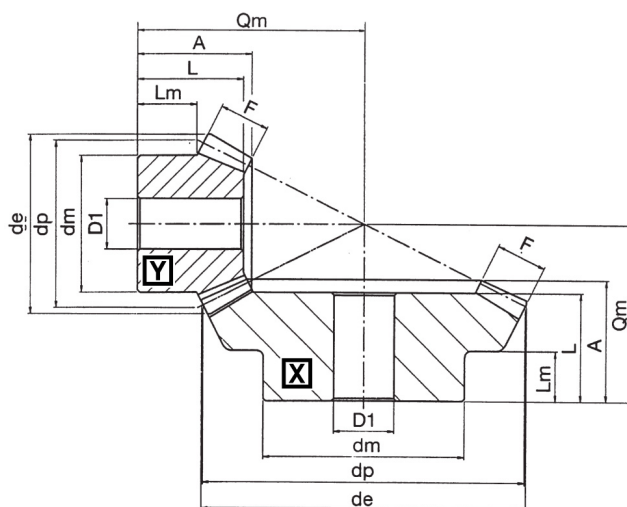


INGRANAGGI - COPPIE CONICHE DENTI SPIROIDALI

RAPPORTO 1:2



Modulo	N° Denti Y	N° Denti X	d_p	d_m	D_1	F	d_e	L_m	L	A	Q_m	Codice
			mm	mm	mm	mm	mm	mm	mm	mm	mm	
1.5	16		24	20	10	8	26.50	9.5	17	18.6	35	CCM1.5Z16 32S
		32	48	32	12	8	48.30	10	18	20.0	28	
2	16		32	27	10	10	35.50	11.7	21	22.5	45	CCM2Z16 32S
		32	64	40	12	10	64.50	10	21.5	24.1	35	
2.5	16		40	32	12	12	44.50	14	25.1	27.5	56	CCM2.5Z16 32S
		32	80	50	15	12	80.50	15	25.9	29.2	43	
3	16		48	40	15	15	53.50	12	25.2	28.4	62	CCM3Z16 32S
		32	96	60	15	15	97.00	15	29.8	34.6	51	
4	16		64	50	20	20	71.50	13.5	32.2	36.2	81	CCM4Z16 32S
		32	128	80	20	20	129.00	23	38.7	44.2	66	
5	16		80	60	20	25	89.50	21	45.3	50.0	106	CCM5Z16 32S
		32	160	90	25	25	162.00	27	46.8	53.7	81	