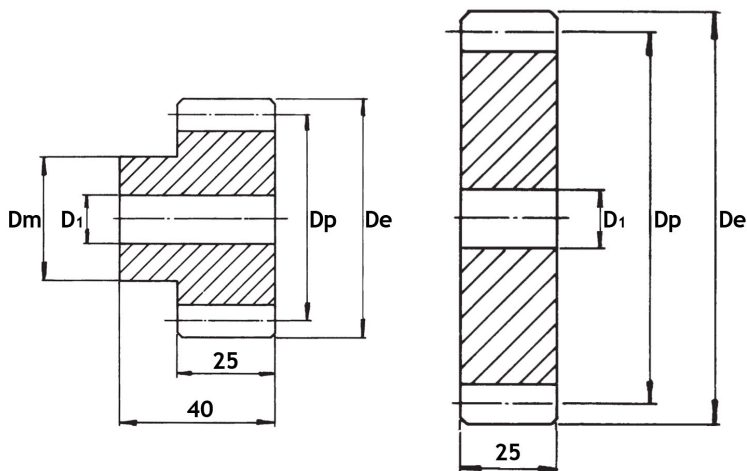


INGRANAGGI - RUOTE DENTATE CILINDRICHE

MODULO 2.5

02-06-01-04



Materiale: C45 - UNI 7845

foro guida D1 = H12

N°Denti	d _e mm	d _p mm	d _m mm	D ₁ mm	Mozzo	Codice
12	35.0	30.0	22	10	x	M2.5Z12
13	37.5	32.5	25	10	x	M2.5Z13
14	40.0	35.0	28	10	x	M2.5Z14
15	42.5	37.5	30	10	x	M2.5Z15
16	45.0	40.0	32	12	x	M2.5Z16
17	47.5	42.5	35	12	x	M2.5Z17
18	50.0	45.0	35	12	x	M2.5Z18
19	52.5	47.5	35	12	x	M2.5Z19
20	55.0	50.0	40	14	x	M2.5Z20
21	57.5	52.5	40	14	x	M2.5Z21
22	60.0	55.0	45	14	x	M2.5Z22
23	62.5	57.5	45	14	x	M2.5Z23
24	65.0	60.0	45	14	x	M2.5Z24
25	67.5	62.5	50	14	x	M2.5Z25
26	70.0	65.0	50	14	x	M2.5Z26
27	72.5	67.5	50	14	x	M2.5Z27
28	75.0	70.0	50	14	x	M2.5Z28
29	77.5	72.5	50	14	x	M2.5Z29
30	80.0	75.0	55	16	x	M2.5Z30
31	82.5	77.5	55	16	x	M2.5Z31
32	85.0	80.0	55	16	x	M2.5Z32
33	87.5	82.5	55	16	x	M2.5Z33
34	90.0	85.0	55	16	x	M2.5Z34
35	92.5	87.5	60	16	x	M2.5Z35

INGRANAGGI - RUOTE DENTATE CILINDRICHE

MODULO 2.5

N°Denti	d _e mm	d _p mm	d _m mm	D ₁ mm	Mozzo	Codice
36	95.0	90.0	60	16	x	M2.5Z36
37	97.5	92.5	60	16	x	M2.5Z37
38	100.0	95.0	60	16	x	M2.5Z38
39	102.5	97.5	60	16	x	M2.5Z39
40	105.0	100.0	70	16	x	M2.5Z40
41	107.5	102.5	70	16	x	M2.5Z41
42	110.0	105.0	70	20	x	M2.5Z42
43	112.5	107.5	70	20	x	M2.5Z43
44	115.0	110.0	70	20	x	M2.5Z44
45	117.5	112.5	70	20	x	M2.5Z45
46	120.0	115.0	70	20	x	M2.5Z46
47	122.5	117.5	80	20	x	M2.5Z47
48	125.0	120.0	80	20	x	M2.5Z48
49	127.5	122.5	80	20	x	M2.5Z49
50	130.0	125.0	80	20	x	M2.5Z50
51	132.5	127.5	90	20	x	M2.5Z51
52	135.0	130.0	90	20	x	M2.5Z52
53	137.5	132.5	90	20	x	M2.5Z53
54	140.0	135.0	90	20	x	M2.5Z54
55	142.5	137.5	90	20	x	M2.5Z55
56	145.0	140.0	100	20	x	M2.5Z56
57	147.5	142.5	100	20	x	M2.5Z57
58	150.0	145.0	100	20	x	M2.5Z58
59	152.5	147.5	100	20	x	M2.5Z59
60	155.0	150.0	100	20	x	M2.5Z60
65	167.5	162.5		20		M2.5Z65
70	180.0	175.0		20		M2.5Z70
72	185.0	180.0		20		M2.5Z72
75	192.5	187.5		20		M2.5Z75
76	195.0	190.0		20		M2.5Z76
80	205.0	200.0		25		M2.5Z80
85	217.5	212.5		25		M2.5Z85
90	230.0	225.0		25		M2.5Z90
95	242.5	237.5		25		M2.5Z95
100	255.0	250.0		25		M2.5Z100
110	280.0	275.0		25		M2.5Z110
114	290.0	285.0		25		M2.5Z114
120	305.0	300.0		25		M2.5Z120
127	322.5	317.5		25		M2.5Z127

