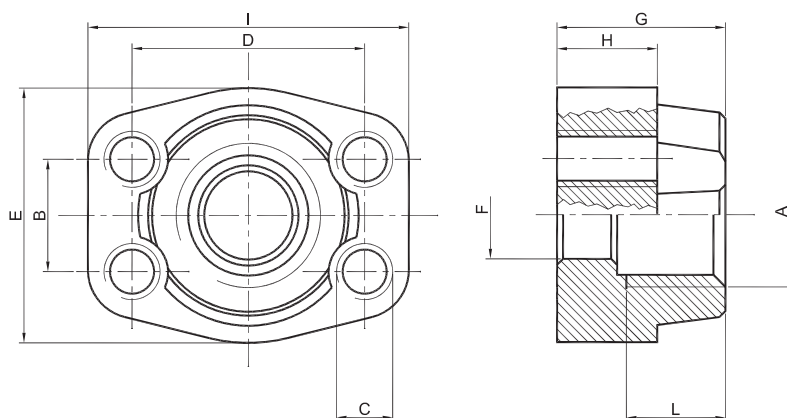


RACCORDI A FLANGIA

CONTROFLANGIA SAE FILETTATA GAS - Serie 6000

Materiali: **Acciaio** ST 52.3



SERIE 6000														
TIPO	PRESS. MAX ES. [Bar]	S.A.E.	DIMENSIONI										VITI	
			A	B	C	D	E	F	G	H	I	L	METRICHE	
TRCF6012G38	420	1/2"	3/8" gas	18,24	VEDI VITI	40,49	46	13	36	16	55	20	M8 x 30	
TRCF6012G12			1/2" gas	18,24		40,49	46	13	36	16	55	20		
TRCF6034G12		3/4"	1/2" gas	23,80		50,80	56	18	36	21	71	21	M10 x 35	
TRCF6034G34			3/4" gas	23,80		50,80	56	19	36	21	71	21		
TRCF6100G34		1"	3/4" gas	27,76		57,15	68	19	42	25	81	23	M12 x 45	
TRCF6100G100			1" gas	27,76		57,15	68	25	42	25	81	23		
TRCF6114G100		1" 1/4	1" gas	31,75		66,68	78	25	45	27	95	25	M14 x 45	
TRCF6114G114			1" 1/4 gas	31,75		66,68	78	32	45	27	95	25		
TRCF6112G114		1" 1/2	1" 1/4 gas	36,50		79,38	94	32	51	29	112	29	M16 x 55	
TRCF6112G112			1" 1/2 gas	36,50		79,38	94	38	51	29	112	29		
TRCF6200G112		2"	1" 1/2 gas	44,45		96,82	116	38	70	37	136	35	M20 x 65	
TRCF6200G200			2" gas	44,45		96,82	116	51	70	37	136	35		

GARCATALOG - 05-01.05.04

 ESEMPIO DI ORDINAZIONE	TRCF6012G12	SOLO FLANGIA
	TRCF6012G12M	FLANGIA COMPLETA CON VITI METRICHE, RONDELLE E O-RING

