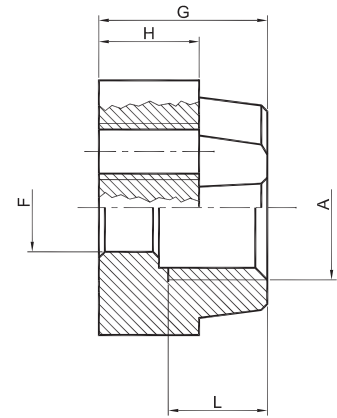
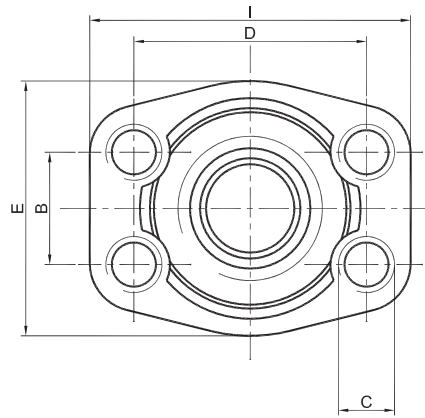


RACCORDI A FLANGIA


CONTROFLANGIA SAE FILETTATA GAS - Serie 3000

Materiale: **Acciaio** ST 52.3



SERIE 3000														
TIPO	PRESS. MAX ES. [Bar]	S.A.E.	DIMENSIONI										VITI	
			A	B	C	D	E	F	G	H	I	L	METRICHE	
TRCF3012G38	348	1/2"	3/8" gas	17,48	VEDI VITI	38,10	46	13	36	16	55	20	M8 x 30	
TRCF3012G12			1/2" gas	17,48		38,10	46	13	36	16	55	20		
TRCF3034G12		3/4"	1/2" gas	22,23		47,63	51	18	36	18	66	21	M10 x 35	
TRCF3034G34			3/4" gas	22,23		47,63	51	19	36	18	66	21		
TRCF3100G34		1"	3/4" gas	26,19		52,37	56	19	38	21	71	23	M10 x 35	
TRCF3100G100			1" gas	26,19		52,37	56	25	38	21	71	23		
TRCF3114G100	279	1" 1/4	1" gas	30,18		58,72	68	25	41	25	81	23	M10 x 35	
TRCF3114G114			1" 1/4 gas	30,18		58,72	68	32	41	25	81	23		
TRCF3112G114	210	1" 1/2	1" 1/4 gas	35,71		69,85	78	32	45	27	95	25	M12 x 45	
TRCF3112G112			1" 1/2 gas	35,71		69,85	78	38	45	27	95	25		
TRCF3200G112		2"	1" 1/2 gas	42,88		77,77	91	38	45	25	102	25	M12 x 45	
TRCF3200G200			2" gas	42,88		77,77	91	51	45	25	102	25		
TRCF3212G200	175	2" 1/2	2" gas	50,80	88,90	103	51	50	25	114	30	M12 x 45		
TRCF3212G212			2" 1/2 gas	50,80	88,90	103	63	50	25	114	30			
TRCF3300G212	138	3"	2" 1/2 gas	61,93	106,40	124	63	50	27	135	30	M16 x 55		
TRCF3300G300			3" gas	61,93	106,40	124	73	50	27	135	30			

GARCATALOG - 05.01.05.03

 ESEMPIO DI ORDINAZIONE	TRCF3012G12	SOLO FLANGIA
	TRCF3012G12M	FLANGIA COMPLETA CON VITI METRICHE, RONDELLE E O-RING

