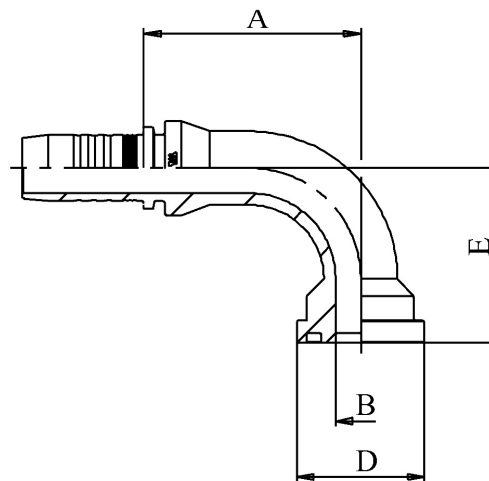


RACCORDI A PRESSURE

FLANGIA 90° SAE 6000psi - SAE J516/J518 - PS690



Flangia Ø inch	Ø Interno tubo		ØD mm	Codice
	mm	inch		
1/2	13	1/2"	31,8	PS6901/2DN13
3/4	13	1/2"	41,5	PS6903/4DN13
3/4	16	5/8"	41,5	PS6903/4DN16
3/4	19	3/4"	41,5	PS6903/4DN19
1	19	3/4"	47,7	PS6901DN19
1	25	1"	47,7	PS6901DN25
1 1/4	25	1"	54,2	PS69011/4DN25
1 1/4	32	1.1/4"	54,2	PS69011/4DN32
1 1/2	32	1.1/4"	63,7	PS69011/2DN32
1 1/2	40	1.1/2"	63,7	PS69011/2DN40
2	50	2"	79,6	PS6902DN50