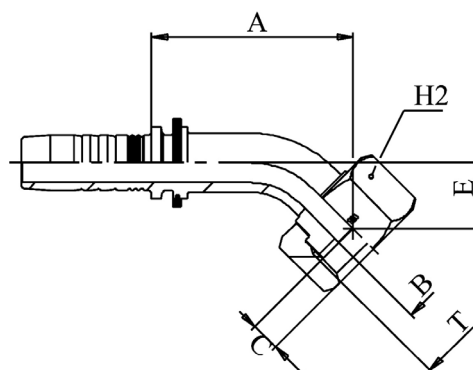


RACCORDI A PRESSURE

FEMMINA ORFS 45° SAE J516/J1453 - PORFS45



Filetto		Ø Interno tubo		Codice
Ø inch	per "	mm	inch	
9/16	- 18	6	1/4"	PORFS459/16DN6
11/16	- 16	6	1/4"	PORFS4511/16DN6
11/16	- 16	8	5/16"	PORFS4511/16DN8
11/16	- 16	10	3/8"	PORFS4511/16DN10
11/16	- 16	13	1/2"	PORFS4511/16DN13
13/16	- 16	10	3/8"	PORFS4513/16DN10
13/16	- 16	13	1/2"	PORFS4513/16DN13
1	- 14	13	1/2"	PORFS451DN13
1	- 14	16	5/8"	PORFS451DN16
1	- 14	19	3/4"	PORFS451DN19
1 3/16	- 12	13	1/2"	PORFS451 3/16DN13
1 3/16	- 12	16	5/8"	PORFS451 3/16DN16
1 3/16	- 12	19	3/4"	PORFS451 3/16DN19
1 7/16	- 12	19	3/4"	PORFS451 7/16DN19
1 7/16	- 12	25	1"	PORFS451 7/16DN25
1 11/16	- 12	25	1"	PORFS451 11/16DN25
1 11/16	- 12	32	1.1/4"	PORFS451 11/16DN32
2	- 12	40	1.1/2"	PORFS452DN40

