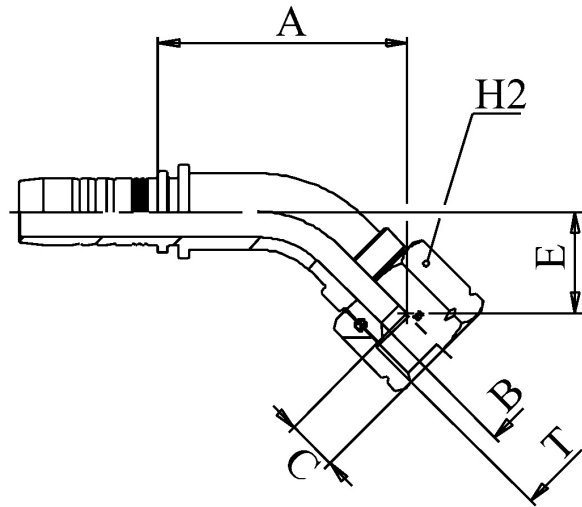
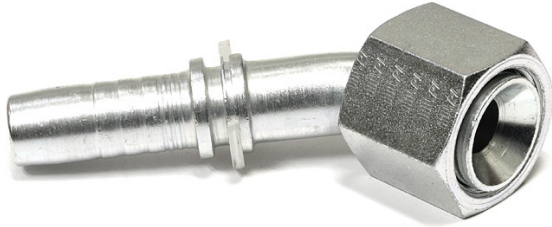


# RACCORDI A PRESSARE

## FEMMINA JIC 45° SVASATURA 37° SAE J516/J514 - PK45E



Filetto		Ø Interno tubo		Codice
Ø inch	per "	mm	inch	
7/16	- 20	6	1/4"	PK45E7/16DN6
1/2	- 20	6	1/4"	PK45E1/2DN6
9/16	- 18	6	1/4"	PK45E9/16DN6
9/16	- 18	8	5/16"	PK45E9/16DN8
9/16	- 18	10	3/8"	PK45E9/16DN10
3/4	- 16	10	3/8"	PK45E3/4DN10
3/4	- 16	13	1/2"	PK45E3/4DN13
7/8	- 14	10	3/8"	PK45E7/8DN10
7/8	- 14	13	1/2"	PK45E7/8DN13
7/8	- 14	16	5/8"	PK45E7/8DN16
1 1/16	- 12	13	1/2"	PK45E11/16DN13
1 1/16	- 12	16	5/8"	PK45E11/16DN16
1 1/16	- 12	19	3/4"	PK45E11/16DN19
1 1/16	- 12	25	1"	PK45E11/16DN25
1 3/16	- 12	19	3/4"	PK45E13/16DN19
1 5/16	- 12	19	3/4"	PK45E15/16DN19
1 5/16	- 12	25	1"	PK45E15/16DN25
1 5/8	- 12	25	1"	PK45E15/8DN25
1 5/8	- 12	32	1.1/4"	PK45E15/8DN32
1 7/8	- 12	32	1.1/4"	PK45E17/8DN32
1 7/8	- 12	40	1.1/2"	PK45E17/8DN40
2 1/2	- 12	50	2"	PK45E21/2DN50

