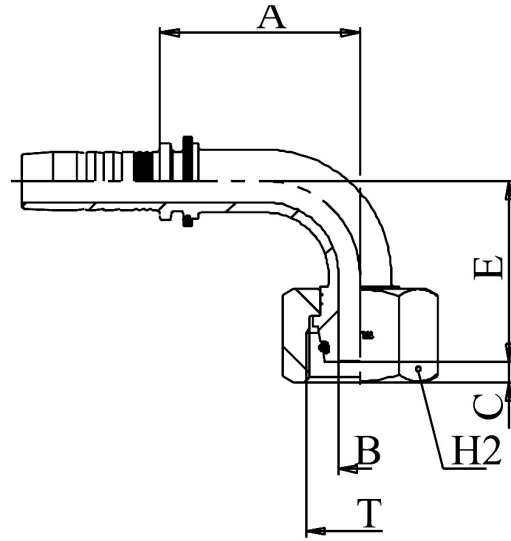


RACCORDI A PRESSARE

FEMMINA METRICA 90° CONO 24° O'RING SERIE PESANTE - DIN 20066/3865 - PFK90 P



Filetto		Ø Interno tubo		Ø L PIPE	Codice
Ø mm	passo	mm	inch	mm	
16	x 1,5	6	1/4"	8	PFK9016PDN6
18	x 1,5	6	1/4"	10	PFK9018PDN6
20	x 1,5	8	5/16"	12	PFK9020PDN8
20	x 1,5	10	3/8"	12	PFK9020PDN10
22	x 1,5	10	3/8"	14	PFK9022PDN10
24	x 1,5	13	1/2"	16	PFK9024PDN13
30	x 2,0	16	5/8"	20	PFK9030PDN16
30	x 2,0	19	3/4"	20	PFK9030PDN19
36	x 2,0	19	3/4"	25	PFK9036PDN19
36	x 2,0	25	1"	25	PFK9036PDN25
42	x 2,0	25	1"	30	PFK9042PDN25
52	x 2,0	32	1.1/4"	38	PFK9052PDN32