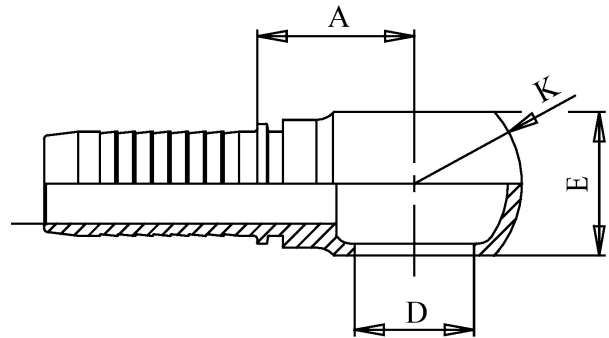


RACCORDI A PRESSURE OCCHIO GAS INOX - PB I



Vite BSP		Ø Interno tubo		Codice
ØD inch	per "	mm	inch	
1/8	- 28	6	1/4"	PB1/8DN6I
1/8	- 28	8	5/16"	PB1/8DN8I
1/4	- 19	8	5/16"	PB1/4DN8I
3/8	- 19	8	5/16"	PB3/8DN8I
3/8	- 19	10	3/8"	PB3/8DN10I
3/8	- 19	13	1/2"	PB3/8DN13I
1/2	- 14	10	3/8"	PB1/2DN10I
1/2	- 14	13	1/2"	PB1/2DN13I
3/4	- 14	19	3/4"	PB3/4DN19I