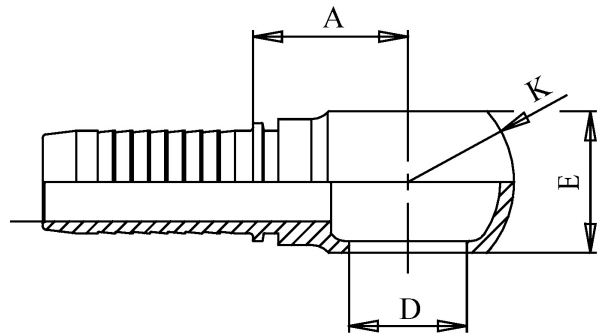


# RACCORDI A PRESSARE OCCHIO GAS - PB



ØD Vite BSP		Ø Interno tubo		Codice
inch	per "	mm	inch	
1/4	- 19	4	3/16"	PB1/4DN4
1/4	- 19	6	1/4"	PB1/4DN6
3/8	- 19	6	1/4"	PB3/8DN6
3/8	- 19	8	5/16"	PB3/8DN8
3/8	- 19	10	3/8"	PB3/8DN10
1/2	- 14	6	1/4"	PB1/2DN6
1/2	- 14	10	3/8"	PB1/2DN10
1/2	- 14	13	1/2"	PB1/2DN13
5/8	- 14	16	5/8"	PB5/8DN16
3/4	- 14	19	3/4"	PB3/4DN19
1	- 11	25	1"	PB1DN25