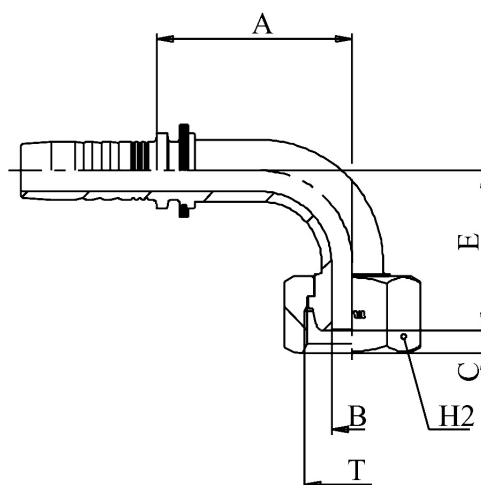
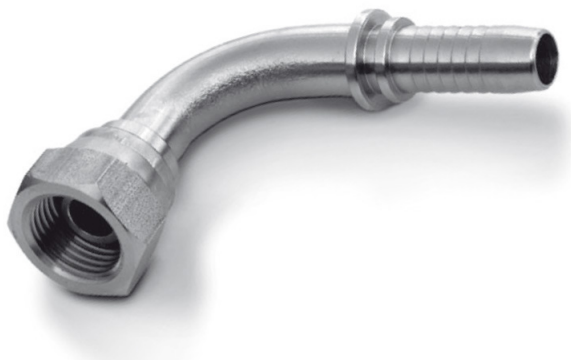


# RACCORDI A PRESSURE

## FEMMINA GAS 90° CONO 60° INOX - PK90 I



Filetto		Ø Interno tubo		Codice
Ø inch	per "	mm	inch	
1/8	- 28	4	3/16"	PK901/8DN4I
1/8	- 28	6	1/4"	PK901/8DN6I
1/4	- 19	4	3/16"	PK901/4DN4I
1/4	- 19	6	1/4"	PK901/4DN6I
1/4	- 19	8	5/16"	PK901/4DN8I
3/8	- 19	6	1/4"	PK903/8DN6I
3/8	- 19	8	5/16"	PK903/8DN8I
3/8	- 19	10	3/8"	PK903/8DN10I
1/2	- 14	10	3/8"	PK901/2DN10I
1/2	- 14	13	1/2"	PK901/2DN13I
3/4	- 14	13	1/2"	PK903/4DN13I
3/4	- 14	16	5/8"	PK903/4DN16I
3/4	- 14	19	3/4"	PK903/4DN19I
5/8	- 14	16	5/8"	PK905/8DN16I
1	- 11	19	3/4"	PK901DN19I
1	- 11	25	1"	PK901DN25I
1 1/4	- 11	25	1"	PK9011/4DN25I
1 1/4	- 11	32	1.1/4"	PK9011/4DN32I
1 1/2	- 11	40	1.1/2"	PK9011/2DN40I
2	- 11	50	2"	PK902DN50I

