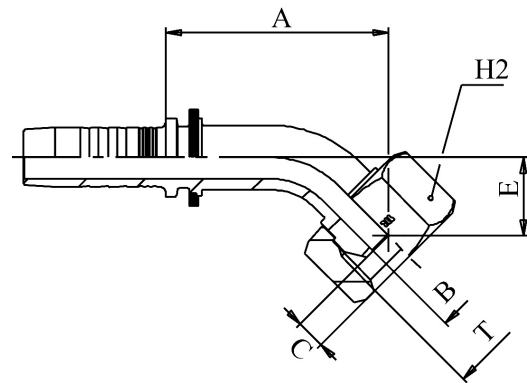


# RACCORDI A PRESSURE

## FEMMINA GAS 45° CONO 60° INOX - PK45 I



Filetto		Ø Interno tubo		Codice
Ø inch	per "	mm	inch	
1/8	- 28	4	3/16"	PK451/8DN4I
1/8	- 28	6	1/4"	PK451/8DN6I
1/4	- 19	4	3/16"	PK451/4DN4I
1/4	- 19	6	1/4"	PK451/4DN6I
3/8	- 19	8	5/16"	PK453/8DN8I
3/8	- 19	10	3/8"	PK453/8DN10I
1/2	- 14	10	3/8"	PK451/2DN10I
1/2	- 14	13	1/2"	PK451/2DN13I
3/4	- 14	16	5/8"	PK453/4DN16I
3/4	- 14	19	3/4"	PK453/4DN19I
1	- 11	25	1"	PK451DN25I