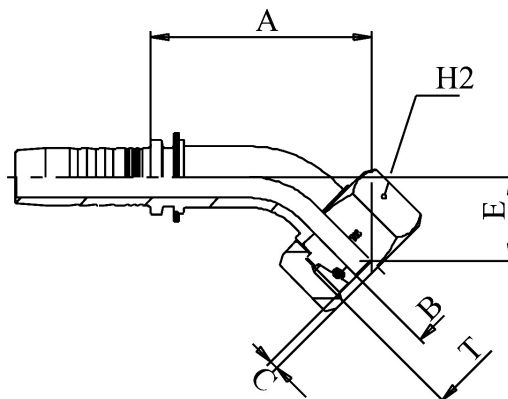


# RACCORDI A PRESSURE

## FEMMINA GAS 45° CONO 60° BS 5200 - PK45



Filetto		Ø Interno tubo		Codice
Ø inch	per "	mm	inch	
1/8	- 28	4	3/16"	PK451/8DN4
1/4	- 19	6	1/4"	PK451/4DN6
3/8	- 19	6	1/4"	PK453/8DN6
3/8	- 19	8	5/16"	PK453/8DN8
3/8	- 19	10	3/8"	PK453/8DN10
1/2	- 14	10	3/8"	PK451/2DN10
1/2	- 14	13	1/2"	PK451/2DN13
5/8	- 14	13	1/2"	PK455/8DN13
5/8	- 14	16	5/8"	PK455/8DN16
3/4	- 14	16	5/8"	PK453/4DN16
3/4	- 14	19	3/4"	PK453/4DN19
1	- 11	19	3/4"	PK451DN19
1	- 11	25	1"	PK451DN25
1 1/4	- 11	32	1.1/4"	PK4511/4DN32
1 1/2	- 11	40	1.1/2"	PK4511/2DN40
2	- 11	50	2"	PK452DN50

