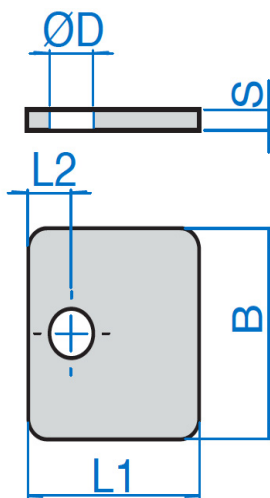
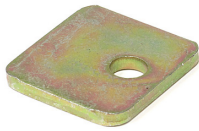
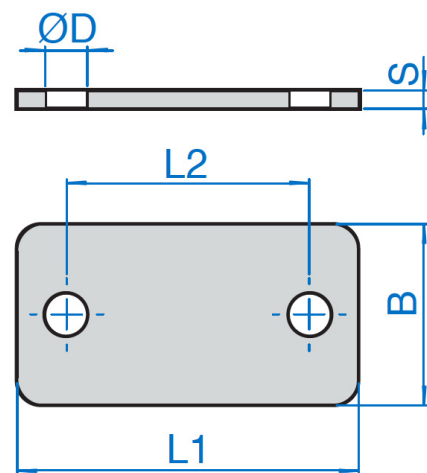


# COLLARI PI.EFFE.CI STANDARD

## PIASTRA SUPERIORE



TAGLIA 1



TAGLIA 2 - 9

Taglia	L1	L2	B	S	ØD	Codice
	mm	mm	mm	mm	mm	
1	27.5	7	30	3	7	CLPS1
2	34.5	20	30	3	7	CLPS2
3	40.5	26	30	3	7	CLPS3
4	48	33	30	3	7	CLPS4
5	56.5	40	30	3	7	CLPS5
6	69.5	52	30	3	7	CLPS6
7	85.5	66	30	3	7	CLPS7
8	118	94	30	5	7	CLPS8
9	144	120	30	5	7	CLPS9