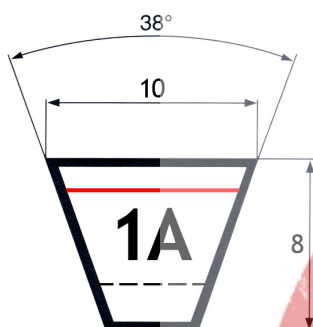
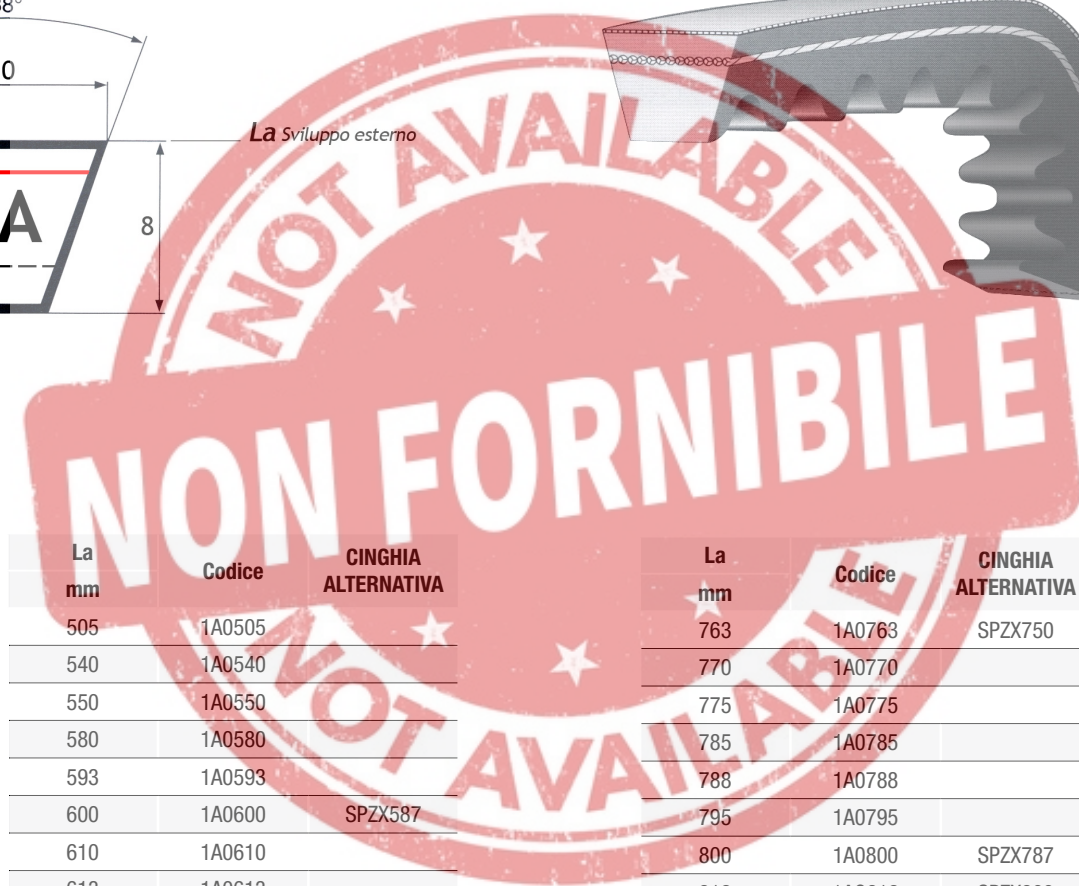


# CINGHIE TRAPEZOIDALI

## SEZIONE 1A



La Sviluppo esterno



La mm	Codice	CINGHIA ALTERNATIVA
505	1A0505	
540	1A0540	
550	1A0550	
580	1A0580	
593	1A0593	
600	1A0600	SPZX587
610	1A0610	
613	1A0613	
617	1A0617	
625	1A0625	SPZX612
630	1A0630	
635	1A0635	
643	1A0643	SPZX630
650	1A0650	SPZX637
660	1A0660	
666	1A0666	
675	1A0675	SPZX662
680	1A0680	
685	1A0685	
690	1A0690	
695	1A0695	
700	1A0700	SPZX687
710	1A0710	
715	1A0715	
725	1A0725	
730	1A0730	
735	1A0735	SPZX722
740	1A0740	
750	1A0750	SPZX737
757	1A0757	

La mm	Codice	CINGHIA ALTERNATIVA
763	1A0763	SPZX750
770	1A0770	
775	1A0775	
785	1A0785	
788	1A0788	
795	1A0795	
800	1A0800	SPZX787
813	1A0813	SPZX800
818	1A0818	
825	1A0825	SPZX812
838	1A0838	
850	1A0850	SPZX837
858	1A0858	
865	1A0865	
875	1A0875	SPZX862
888	1A0888	SPZX875
900	1A0900	SPZX887
905	1A0905	
910	1A0910	
913	1A0913	SPZX900
920	1A0920	
925	1A0925	SPZX912
930	1A0930	
935	1A0935	
940	1A0940	
950	1A0950	SPZX937
960	1A0960	
965	1A0965	
975	1A0975	SPZX962
980	1A0980	



CINGHIE TRAPEZOIDALI  
SEZIONE 1A



La mm	Codice	CINGHIA ALTERNATIVA
983	1A0983	
990	1A0990	
1000	1A1000	SPZX987
1005	1A1005	
1013	1A1013	SPZX1000
1025	1A1025	SPZX1012
1035	1A1035	
1050	1A1050	SPZX1037
1060	1A1060	SPZX1047
1065	1A1065	
1070	1A1070	
1075	1A1075	
1085	1A1085	
1090	1A1090	SPZX1077
1100	1A1100	SPZX1087
1110	1A1110	
1113	1A1113	
1125	1A1125	SPZX1112
1133	1A1133	SPZX1120
1140	1A1140	
1150	1A1150	SPZX1137
1155	1A1155	
1165	1A1165	
1175	1A1175	SPZX1162
1184	1A1184	
1190	1A1190	
1200	1A1200	SPZX1187
1215	1A1215	SPZX1202
1225	1A1225	SPZX1212
1238	1A1238	
1250	1A1250	SPZX1237
1275	1A1275	SPZX1262
1300	1A1300	SPZX1287
1310	1A1310	
1325	1A1325	SPZX1312
1350	1A1350	SPZX1337
1375	1A1375	SPZX1362
1400	1A1400	SPZX1387

La mm	Codice	CINGHIA ALTERNATIVA
1425	1A1425	SPZX1412
1450	1A1450	SPZX1437
1475	1A1475	SPZX1462
1500	1A1500	SPZX1487
1525	1A1525	SPZX1512
1550	1A1550	SPZX1537
1575	1A1575	
1600	1A1600	SPZX1587
1625	1A1625	SPZX1612
1650	1A1650	
1700	1A1700	
1750	1A1750	
1775	1A1775	SPZX1762

