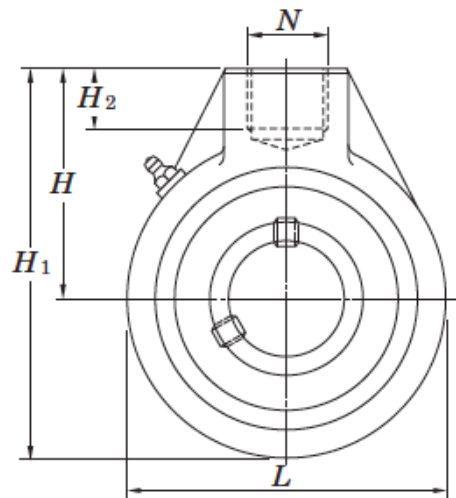


SOPPORTI IN GHISA

UCHA - FISSAGGIO SULL'ALBERO A GRANI

FYH



\emptyset albero	H	N	Codice
mm	mm	Inch GAS	
12	64	Rp3/4	UCHA201
15	64	Rp3/4	UCHA202
17	64	Rp3/4	UCHA203
20	64	Rp3/4	UCHA204
25	64	Rp3/4	UCHA205
30	64	Rp3/4	UCHA206
35	70	Rp3/4	UCHA207
40	73	Rp3/4	UCHA208
45	82	Rp1	UCHA209
50	83	Rp1	UCHA210
55	87	Rp1 1/4	UCHA211
60	102	Rp1 1/4	UCHA212
65	117	Rp 1 1/2	UCHA213
70	117	Rp 1 1/2	UCHA214
75	117	Rp 1 1/2	UCHA215

1



2



3

A

4



5



6



7



8



9



10

